



VOXAURA

PRODUCT CATALOG

FURNITURE LIGHT

CEILING LIGHT

SMART CONTROL

TABLE OF CONTENTS

LIGHT SOLUTIONS FOR YOUR HOME.

Experts in lighting and product development, we combine German precision with cutting-edge technology. Our mission is to create products that embody simplicity, quality, and sustainability.

Focusing on minimalism and eco-friendly practices, we set new standards in the lighting industry. Looking ahead, we're expanding into Smart Home solutions to enhance your living space.

Our promise „feels like coming home.“

KNOWLEDGE

p. 003

Academy of Light

p. 003

24V System

p. 009

DIALUX

p. 010

System overview

p. 011

LIGHTING

p. 013

LED-ribbons

p. 021

Profiles for LED-ribbons

p. 041

Linear lights & glass shelves

p. 047

Downlights

p. 073

Mini track lights

p. 083

Showcase lights

p. 089

Ceiling lights

p. 097

SWITCHES

p. 109

Sensor switches

p. 111

Wired switches

p. 113

Multiple switch unit

p. 117

Remote controls

p. 118

POWER SUPPLY

p. 123

Smart-drivers

p. 125

Control units

p. 131

Drivers

p. 135

ACCESSORIES

p. 137

Extension cables

p. 138

2-way extension cable

p. 138

6-way distributor box

p. 138

Cable management 90°

p. 139

Cable Management 180°

p. 139

Primary leads

p. 139

Control unit

p. 140

INFORMATION

p. 141

Icons & approval marks

p. 143

Technical terms

p. 145

FAQ

p. 149

Imprint

p. 152

STATUS AT TIME OF PRINTING

The products shown reflect the status at the time of printing. In the course of continuous technical and design development, we reserve the right to make changes to construction, specifications and product range. The latest version is available at any time on our website at www.voxaura.ai

welcome to the

ACADEMY OF LIGHT

We would like to invite you to the **VOXAURA Academy of Light**, where we will show you that light is more than just lighting.

Light has a significant influence on human well-being, health and performance, creates a mood, designs rooms and sets the scene for your home.

Our Academy of Light offers you practical advice on how to put your home in the perfect light.

LET US
INSPIRE YOU!



www.voxaura.ai



- ✓ Downlight SL4005, dimmable multiwhite, 2700 - 5000 K
- ✓ Smart-driver SD4000
- ✓ Control unit CU4000, multiwhite, asynchronous – to enable control of downlights independently of linear lights
- ✓ Smart sensor switch BS3000 – to switch light on / off, adjust brightness and colour temperature

- ✓ Linear light PL4000, dimmable multiwhite, 2700 - 5000 K
- ✓ Smart-driver SD4000
- ✓ Control unit CU4000, multiwhite, asynchronous – to enable control of linear lights independently of downlights
- ✓ Smart sensor switch BS3000 – to switch light on / off, adjust brightness and colour temperature

Create a stylish entrance with indirect lighting for wardrobe niches and downlights for accentuation. This blend of gentle and focused light elevates both function and aesthetics.

Learn more at www.voxaura.ai

- ✓ Wardrobe linear light PL4006, monochrome, 3000 K
- ✓ Driver ID4001
- ✓ Light is switched by motion sensor automatically when movement is detected.

- ✓ Linear light PL4009, dimmable, monochrome, 3000 K
- ✓ Driver ID4001
- ✓ Stick sensor switch WS3001 – to switch light on / off and dim brightness

- ✓ Linear light PL4008, dimmable, monochrome, 3000 K
- ✓ Driver ID4001
- ✓ Wired sensor switch WS3000, – to switch light on / off and dim brightness

- ✓ Mini spot light SC4000, dimmable, monochrome, 3000 K
- ✓ Driver ID4001
- ✓ Wired sensor switch WS3000 – to switch light on / off and dim brightness

- ✓ Linear light PL4000, dimmable, monochrome, 3000 K
- ✓ Driver ID4001
- ✓ Wired sensor switch WS3000 – to switch light on / off and dim brightness

Stage your dressing room like your favorite store with the help of light. Balanced illumination eliminates shadows, making every corner of your wardrobe easily accessible while spot lights highlight your favorite pieces.

Learn more at www.voxaura.ai

- ✓ Glass-shelf linear light PL4004, dimmable, multiwhite, 2700 - 5000 K
- ✓ Smart-driver SD4000
- ✓ Control unit CU4000, multiwhite, synchronous – to enable control of all connected lights simultaneously
- ✓ Smart sensor switch BS3000 – to switch light on / off, adjust brightness and colour temperature

- ✓ Linear light PL4000, multiwhite, 2700 - 5000K
- ✓ Smart-driver SD4000
- ✓ Control unit CU4000, multiwhite, asynchronous – to enable control of two lighting groups independently of each other
- ✓ Smart sensor switch BS3000 – to switch light on / off automatically by opening / closing the door

- ✓ Illuminated glass shelf PL4012, multiwhite, 2700 - 5000K
- ✓ Smart-driver SD4000
- ✓ Control unit CU4000, multiwhite, asynchronous – to enable control of two lighting groups independently of each other
- ✓ Smart sensor switch BS3000 – to switch light on / off and dim brightness touchless by swiping

- ✓ Silicone LED-ribbon LS4040, dimmable, multiwhite 2700 - 5000 K + profile API1000 for plinth
- ✓ Smart-driver SD4000
- ✓ Control unit CU4000, multiwhite, synchronous – to enable control of all connected lights simultaneously
- ✓ Smart sensor switch BS3000 – to switch light on / off, adjust brightness and colour temperature

The kitchen is not just for cooking, it's also a place for living and it's not unusual for the best parties to take place in the kitchen.

By choosing different types of lighting, your kitchen can meet a wide range of requirements.

Learn more at www.voxaura.ai

MORE PERFORMANCE
HIGHER EFFICIENCY
BEST APPLICATION

24V

+ LOWER CURRENT

24V systems work with half the current of 12V systems, reducing heat and current losses, leading to increased lifespan.

+ LONGER RIBBON

Lower current and higher voltage allow longer ribbons with minimal voltage drop.

+ ENERGY EFFICIENCY

Lower energy consumption means lower operating costs.

+ FASTER PRODUCT AVAILABILITY

Focusing on a single system significantly reduces stock size for products and accessories.

+ CUT DISTANCE

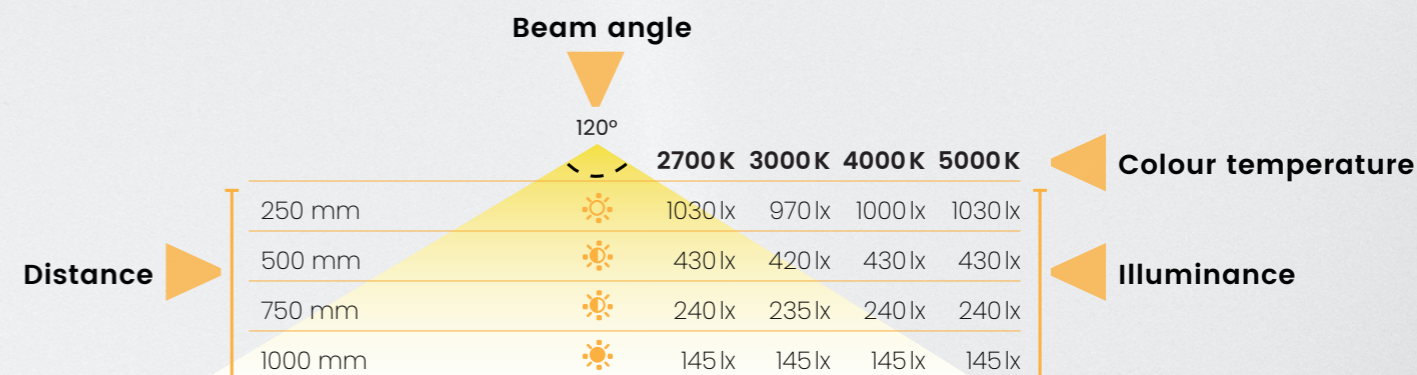
24V LED-ribbons feature more LED chips than standard 12V LED-ribbons and can be cut to any size without loss of brightness, even the corners are brightly lit.

+ FROM FURNITURE TO SPACE

24V systems enable the seamless integration of furniture and ceiling lighting. One voltage. One system.

DIALUX

SIGNIFICANT FACTORS INFLUENCING ILLUMINATION



DIALUX illustrates the relationship between the distance from a light source, its beam angle and colour temperature as well as the resulting illuminance:

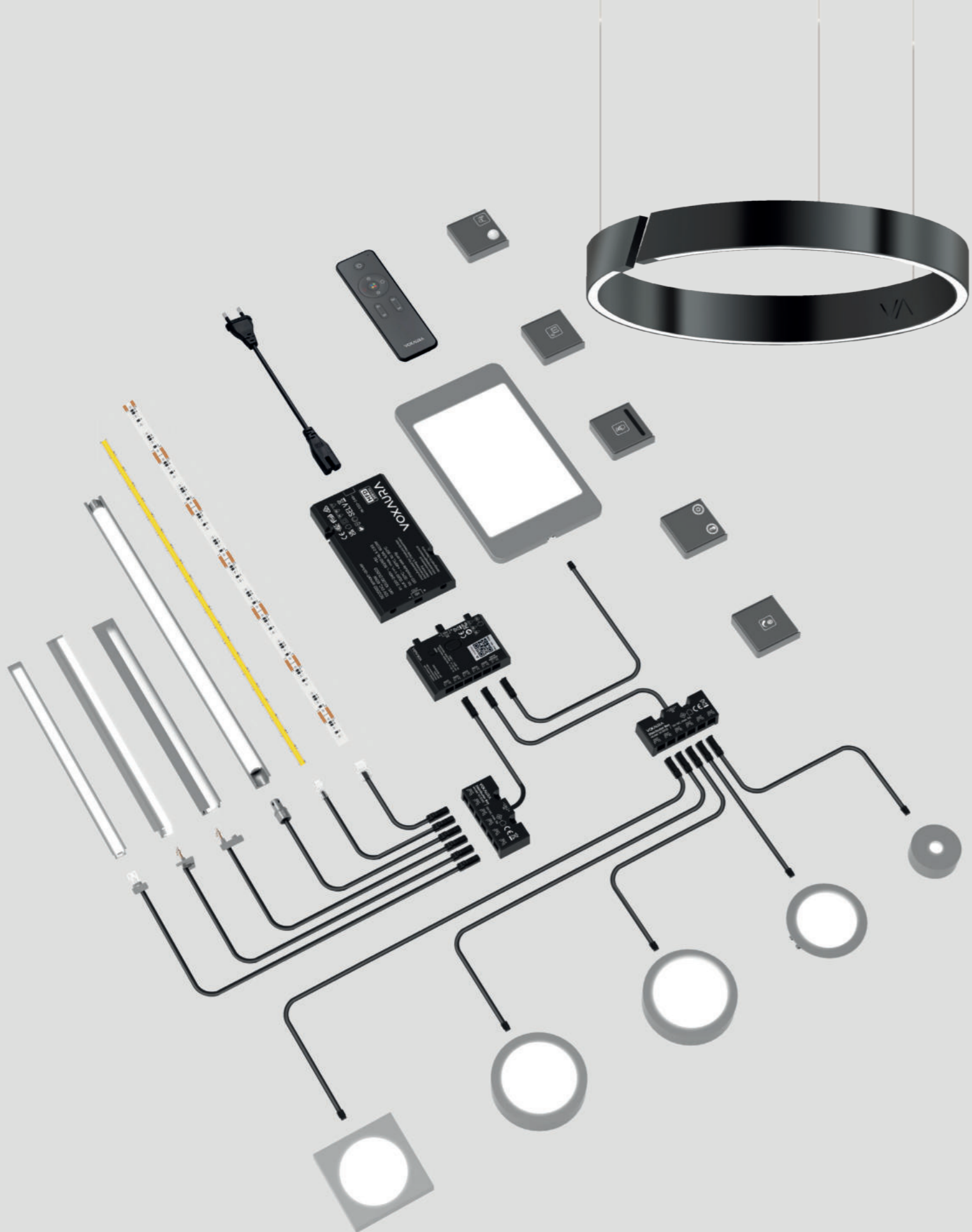
- Increasing distance leads to decreasing illuminance.
- A small beam angle produces a focused beam of light with high illuminance, while a wide beam angle produces a wider light cone with less illuminance.
- Although warm white and cool white light can technically have the same illuminance, cool white light mostly seems brighter than warm white light.

So the DIALUX shows the illuminance depending on the most relevant influencing factors and helps you to choose the suitable light according to your needs.

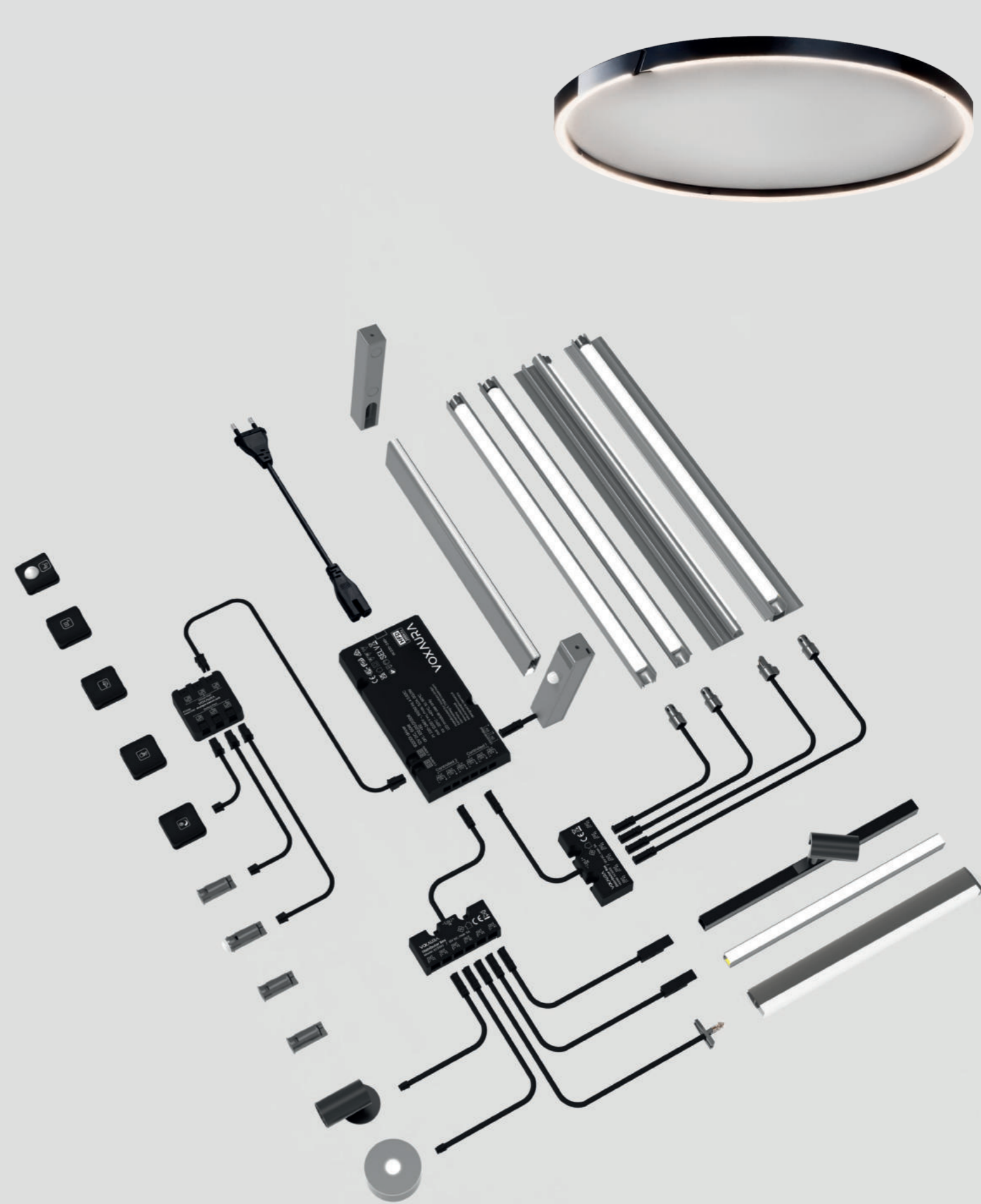
RECOMMENDATION FOR ILLUMINANCE

type of room	illuminance working area	illuminance floor
kitchen, office	500 lx	150 lx
dining room	300 lx	100 lx
living room	300 lx	100 lx
bed room	200 lx	100 lx
bath room	200 – 500 lx	100-150 lx
show room, gallery	300 – 500 lx	150 lx
hallway, stairs	---	100 lx

Please note that certain activities require higher illuminance (for example room cleaning up to 500 lx).



SYSTEM OVERVIEW WITH
SMART-DRIVER



SYSTEM OVERVIEW WITH
DRIVER

LED-RIBBONS

24V
overview

SMD LED-RIBBONS

21

Colour system	Familyname	lm/m	W/m	Width mm	Degree of protection	page
LED monochrome	LS4000	> 950	5	5	IP20	023
	LS4002	> 950	5	8	IP20	025
	LS4003	> 950	5	8	IP20	025
	LS4001	> 1900	10	5	IP20	023
	LS4004	> 1900	10	8	IP20	025
LED multiwhite	LS4050	> 1850	10	10	IP20	027
LED RGB	LS4080	---	10	10	IP20	029
LED RGB-MW	LS4090	> 1250	10	12	IP20	031

SMD LED-RIBBONS CONSTANT CURRENT TECHNOLOGY

25

LED monochrome	LS4005	> 1400	8,5	8	IP20	025
----------------	--------	--------	-----	---	------	-----

COB LED-RIBBONS

33

LED monochrome	LS4030	> 450	5	5	IP20	033
LED monochrome	LS4031	> 720	8	8	IP20	035
LED multiwhite		> 680	8	8	IP20	035

SMD LED-RIBBONS SILICONE

37

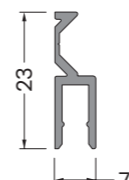
LED monochrome	LS4040	> 200	8	4	IP44	037
LED multiwhite	LS4041	> 560	8	10	IP44	039

PROFILES FOR LED-RIBBONS

24V
overview

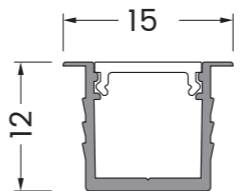
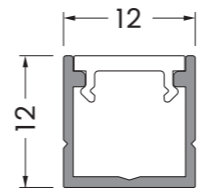
FOR LED-RIBBONS 4 mm SILICONE

43

Technical drawing	Familyname	Dimensions (L x W x H)	Installation	page
	AP1000	1000 x 7 x 23 mm	surface	043

FOR LED-RIBBONS ≤ 8 mm

44

	AP1004	3000 x 15 x 12 mm	recessed	044
	AP1002	3000 x 12 x 12 mm	surface	045

LINEAR LIGHTS

24V
overview

LED CUT-TO-SIZE MONOCHROME / MULTIWHITE

47


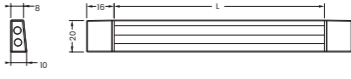



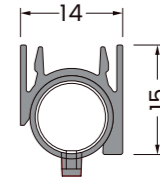

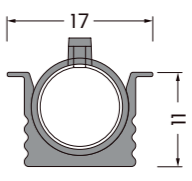

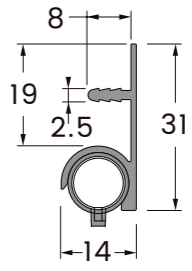

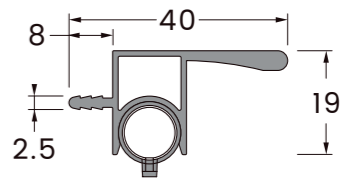
	Familyname	lm/m	W/m	Length mm	Technical drawing	page
	PL4000	> 118	5	3000		049
	PL4001	118	5	1000		049
	PL4002	> 114	5	3000		051
	PL4003	> 298	5	3000		055
	PL4011	> 50	5	3000		053
	PL4004	> 186	5	3000		057

LINEAR LIGHTS

24V
overview



LED CUT-TO-SIZE MONOCHROME / MULTIWHITE

59

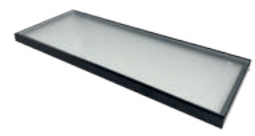
	Familyname	lm/m	W/m	Length mm	Technical drawing	page
	PL4005	118	5	1000		059
	PL4006	96	5	3000		061
	PL4007	> 350	5	3000		063
	PL4008	> 350	5	3000		065
	PL4009	> 350	5	3000		067
	PL4010	> 350	5	3000		069

ILLUMINATED GLASS SHELVES

 24V
overview


  MONOCHROME / MULTIWHITE

71



	Familyname	lm	W	Dimensions	Colour	page
	PL4012	50	3	600 x 230 x 30,5 mm	aluminum black	072
		75	4,5	900 x 230 x 30,5 mm		

DOWNLIGHTS

 24V
overview


  MONOCHROME / MULTIWHITE

79

	Familyname	lm	W	Dimensions	Installation	page
	SL4004	> 299	2,5	Ø 65 x 13,7 mm	recessed or surface	079
	SL4005	> 316	3	Ø 75 x 13,7 mm	recessed or surface	080

DOWNLIGHTS

 24V
overview

 MONOCHROME




73

	Familyname	lm	W	Dimensions	Installation	page
	SL4001	> 210	2,5	62 x 62 x 7,8 mm	surface	075
	SL4002	> 210	2,5	Ø 62 x 7,8 mm	surface	076
	SL4003	> 537	5	192 x 112 x 6 mm	surface	077
	SL4006	> 117	1	Ø 41 x 12,7 mm	recessed or surface	081
	SL4007	> 351	3	Ø 75 x 12,7 mm	recessed or surface	082

MINI TRACK LIGHTS

24V
overview




LED TRACKS & SPOTS 83

	Familyname	lm	W	Dimensions	Installation	page
	TL4002	---	---	3000 x 15 x 10 mm	recessed	085
	TL4003	---	---	3000 x 10 x 10 mm	surface	085
	TL4001	135	1	Ø 18 x 45 x 47 mm	clip-in	087
	TL4005	390	2,5			

SHOWCASE LIGHTS

24V
overview





LED SPOTLIGHTS 89

	Familyname	lm	W	Dimensions	Installation	page
	SC4000	390	2,5	Ø 18 x 45 x 43,2 mm	recessed	091
	SC4001	390	2,5	Ø 18 x 45 x 350 mm	recessed	093
	TL4004	---	---	450 x 15 x 13 mm	recessed	095

CEILING LIGHTS

24 / 36V
overview

LED CEILING LIGHTS 97

	Familyname	lm	W	Dimensions	Colour	page
		572 - 1320	30	Ø 645 mm	graphite black silk white	101
	ONE AURA	488 - 1130	25			
		476 - 1659	30	Ø 645 mm	graphite black silk white	103
	ONE ARC	402 - 1402	25			
	ONE RISE	490 - 627	8	Ø 115 x 120 mm	graphite black silk white	105
	ONE SPOT	903 - 1019	12	Ø 85 x 52 mm	silk white	107



LED RIBBONS

SMD LED-RIBBONS

24V
monochrome (2-pin), 5 mm



- HIGH LUMINOUS FLUX
- High CRI **93**

LS4000 / LS4001

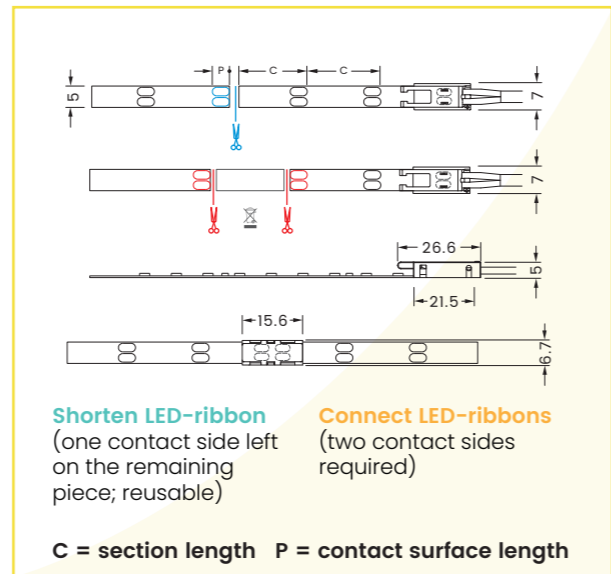


Material	plastic
Surface finish	white
Width	5 mm
Height	1,3 mm
Dimmable	yes
Degree of protection	IP20
Lifetime L80/B10	>50.000 h
Lifetime L70/B50	>80.000 h
Installation	self-adhesive
Scope of delivery	1 role (5 m)

Illuminance in lx based on 1 m strip length:

	120°	LS4000			
		2700K	5000K	3000K	4000K
250 mm		4820 lx	5100 lx	4820 lx	5100 lx
500 mm		1205 lx	1275 lx	1205 lx	1275 lx
750 mm		535 lx	565 lx	535 lx	565 lx
1000 mm		300 lx	315 lx	300 lx	315 lx

	120°	LS4001			
		2700K	5000K	3000K	4000K
250 mm		8640 lx	8870 lx	8640 lx	8870 lx
500 mm		2160 lx	2220 lx	2160 lx	2220 lx
750 mm		960 lx	985 lx	960 lx	985 lx
1000 mm		540 lx	555 lx	540 lx	555 lx



LS4000 / LS4001

Number of LEDs	Wattage	Luminous flux	Lumen efficacy	Colour Rendering Index CRI	Colour temperature	Energy efficiency class	Max. ribbon length (visual)	Section length	Contact surface length	Article number
LEDs/m	W/m	lm/m	lm/W	Ra R9	K	EEL	m	mm	mm	

LS4000 for furniture, plinth, ambient lighting

5 m

128	5	950	190	93 >50	2700	A B	8,0	62,5	4,0	200.10.00.001
	5	950	190	93 >50	3000	A B	8,0	62,5	4,0	200.10.00.002
	5	975	195	93 >50	4000	A B	8,0	62,5	4,0	200.10.00.003
	5	975	195	93 >50	5000	A B	8,0	62,5	4,0	200.10.00.004

LS4001 for ceiling

128	10	1900	190	93 >50	2700	A B	5,0	62,5	4,0	200.10.00.005
	10	1900	190	93 >50	3000	A B	5,0	62,5	4,0	200.10.00.006
	10	1950	195	93 >50	4000	A B	5,0	62,5	4,0	200.10.00.007
	10	1950	195	93 >50	5000	A B	5,0	62,5	4,0	200.10.00.008

i Calculate the wattage requirement of the LED-ribbon in the desired length and select a driver that can supply the required power. In addition to the requirements of the LED-ribbon, please also take into account the requirements of other lights/consumers that are connected to the same driver. The total wattage requirement of all connected loads must not exceed the output of the driver.

ORDER INFO

Additional connecting accessories need to be ordered separately

	Drivers (integrated)	see page 135
	Smart-drivers + control unit	see page 125
	1 connecting cable 2 m incl. clip connector (2-pin) 5 mm, 24V	209.19.00.003
	Straight connectors (2-pin) 5 mm (10 pcs)	209.19.00.001

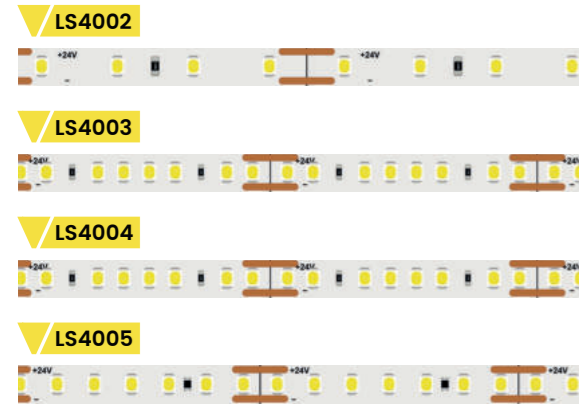
SMD LED-RIBBONS

24V
monochrome (2-pin), 8 mm



- HIGH LUMINOUS FLUX
- HIGH CRI **93**
- **CONSTANT CURRENT TECHNOLOGY (LS4005)**

LS4002 / LS4003 / LS4004 / LS4005



Material	plastic
Surface finish	white
Width	8 mm
Height	1,5 mm
Dimmable	yes
Degree of protection	IP20
Lifetime L80/B10	>50.000 h
Lifetime L70/B50	>80.000 h
Installation	self-adhesive
Scope of delivery	1 role (5 / 15 m)

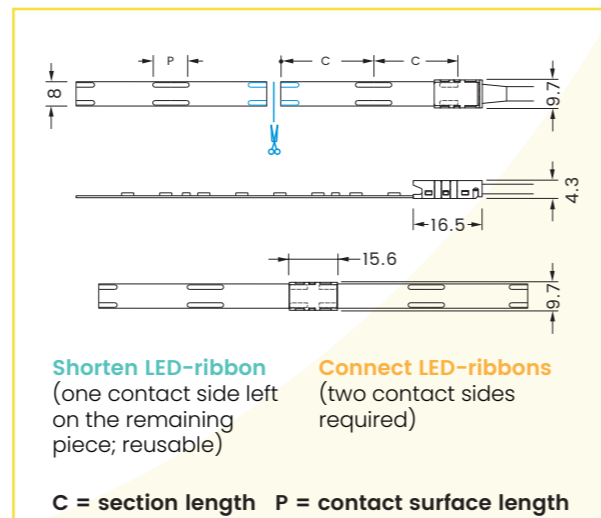
Illuminance in lx based on 1 m strip length:

	120° LS4002			
	2700 K	5000 K	3000 K	4000 K
250 mm	4460 lx	4575 lx	4460 lx	4575 lx
500 mm	1115 lx	1145 lx	1115 lx	1145 lx
750 mm	495 lx	510 lx	495 lx	510 lx
1000 mm	280 lx	285 lx	280 lx	285 lx

	120° LS4003			
	2700 K	5000 K	3000 K	4000 K
250 mm	4820 lx	5100 lx	4820 lx	5100 lx
500 mm	1205 lx	1275 lx	1205 lx	1275 lx
750 mm	535 lx	565 lx	535 lx	565 lx
1000 mm	300 lx	315 lx	300 lx	315 lx

	120° LS4004			
	2700 K	5000 K	3000 K	4000 K
250 mm	8640 lx	8870 lx	8640 lx	8870 lx
500 mm	2160 lx	2220 lx	2160 lx	2220 lx
750 mm	960 lx	985 lx	960 lx	985 lx
1000 mm	540 lx	555 lx	540 lx	555 lx

	120° LS4005			
	2700 K	5000 K	3000 K	4000 K
250 mm	7010 lx	7125 lx	7010 lx	7125 lx
500 mm	1755 lx	1785 lx	1755 lx	1785 lx
750 mm	780 lx	795 lx	780 lx	795 lx
1000 mm	440 lx	445 lx	440 lx	445 lx



LS4005
 The **LS4005** product family features **constant current technology**. This technology enables a (visual) **strip length of up to 15 m without a significant drop in luminous flux**. Also suitable for short-term voltage peaks up to 16 V thanks to the integrated IC. This is why LED strips with constant current technology are **ideal for ceiling lighting and lighting in caravans**.

Calculate the wattage requirement of the LED-ribbon in the desired length and select a driver that can supply the required power. In addition to the requirements of the LED-ribbon, please also take into account the requirements of other lights/consumers that are connected to the same driver. The total wattage requirement of all connected loads must not exceed the output of the driver.

LS4002 / LS4003 / LS4004 / LS4005

Number of LEDs	Wattage	Luminous flux	Lumen efficacy	Colour Rendering Index CRI	Colour temperature	Energy efficiency class	Max. ribbon length (visual)	Section length	Contact surface length	Article number
LEDs/m	W/m	lm/m	lm/W	Ra R9	K	EEL	m	mm	mm	

LS4002 for ceiling **5 m**

64	5	950	190	93 >50	2700	A B	12,0	125,0	10,0	200.10.00.009
	5	950	190	93 >50	3000	A B	12,0	125,0	10,0	200.10.00.010
	5	975	195	93 >50	4000	A B	12,0	125,0	10,0	200.10.00.011
	5	975	195	93 >50	5000	A B	12,0	125,0	10,0	200.10.00.012

LS4003 for low area application (e.g. plinth)

128	5	950	190	93 >50	2700	A B	12,0	62,5	10,0	200.10.00.013
	5	950	190	93 >50	3000	A B	12,0	62,5	10,0	200.10.00.014
	5	975	195	93 >50	4000	A B	12,0	62,5	10,0	200.10.00.015
	5	975	195	93 >50	5000	A B	12,0	62,5	10,0	200.10.00.016

LS4004 for ceiling, showroom, task light

128	10	1900	190	93 >50	2700	A B	8,0	62,5	10,0	200.10.00.017
	10	1900	190	93 >50	3000	A B	8,0	62,5	10,0	200.10.00.018
	10	1950	195	93 >50	4000	A B	8,0	62,5	10,0	200.10.00.019
	10	1950	195	93 >50	5000	A B	8,0	62,5	10,0	200.10.00.020

LS4005 for caravan, ceiling **15 m**

126	8,5	1400	165	93 >50	2700	A C	15,0	55,5	10,0	200.10.00.021
	8,5	1400	165	93 >50	3000	A C	15,0	55,5	10,0	200.10.00.022
	8,5	1450	170	93 >50	4000	A C	15,0	55,5	10,0	200.10.00.023
	8,5	1450	170	93 >50	5000	A C	15,0	55,5	10,0	200.10.00.024

ORDER INFO		Additional connecting accessories need to be ordered separately
	Drivers (integrated)	see page 135
	Smart-drivers + control unit	see page 125
	1 connecting cable 2 m incl. clip connector (2-pin) 8 mm, 24V	209.19.00.004
	Straight connectors (2-pin) 8 mm (10 pcs)	209.09.00.001

SMD LED-RIBBONS

24V
multiwhite (3-pin), 10 mm

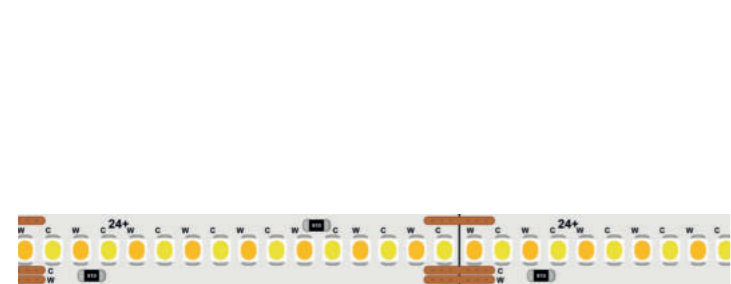


- HIGH EFFICACY **190 lm/W**
- HIGH CRI **93**

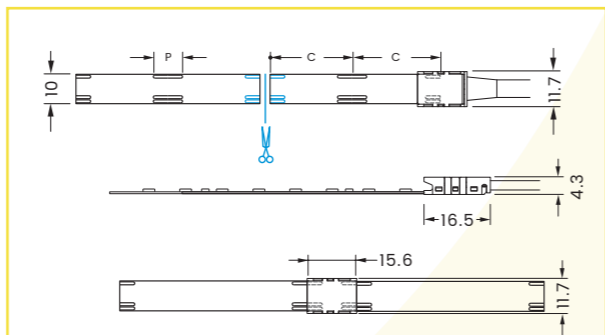
LS4050



Area of application
▪ only ceiling
(not for furniture)



Material	plastic
Surface finish	white
Width	10 mm
Height	1,5 mm
Dimmable	yes
Degree of protection	IP20
Lifetime L80/B10	>50.000 h
Lifetime L70/B50	>80.000 h
Installation	self-adhesive
Scope of delivery	1 role (5 m)



Shorten LED-ribbon (one contact side left on the remaining piece; reusable)
Connect LED-ribbons (two contact sides required)

C = section length P = contact surface length

Illuminance in lx based on 1 m strip length:

	120°	2700K	5000K
250 mm		8595 lx	8780 lx
500 mm		2145 lx	2195 lx
750 mm		955 lx	975 lx
1000 mm		535 lx	550 lx

LS4050

Number of LEDs	Wattage	Luminous flux	Lumen efficacy	Colour Rendering Index CRI		Colour temperature	Energy efficiency class	Max. ribbon length (visual)	Section length	Contact surface length	Article number
				Ra	R9						
LEDs/m	W/m	lm/m	lm/W								5 m

LS4050 for ceiling

256	10	1850 - 1900	185 - 190	93	>50	2700 - 5000	A B	10,0	62,5	10,0	200.11.00.001
-----	----	-------------	-----------	----	-----	-------------	------------	------	------	------	---------------

What do I need high-lumen LED-ribbons for?

High-lumen LED-ribbons (e.g., ~1900 lm/m) are useful when you need real working light, not just mood light. They overcome losses from diffusers or indirect mounting, reach 300–750 lx for tasks and “cleaning mode,” and still leave headroom to dim. Ideal for high ceilings, kitchens, workshops, offices, and showrooms where bright, even light is required.

Multiwhite LED-ribbons can only be operated with smart-drivers. Please refer to the order info below.

Calculate the wattage requirement of the LED-ribbon in the desired length and select a driver that can supply the required power. In addition to the requirements of the LED-ribbon, please also take into account the requirements of other lights/consumers that are connected to the same driver. The total wattage requirement of all connected loads must not exceed the output of the driver.

ORDER INFO

Additional connecting accessories need to be ordered separately



Smart-drivers + control unit

see page 125



1 connecting cable 2 m incl. clip connector (3-pin) 10 mm, 24V

209.19.00.007



Straight connectors (3-pin) 10 mm (10 pcs)

209.19.00.005

SMD LED-RIBBONS

24V
RGB (4-pin), 10 mm



16.7 MIO TUNABLE COLOURS

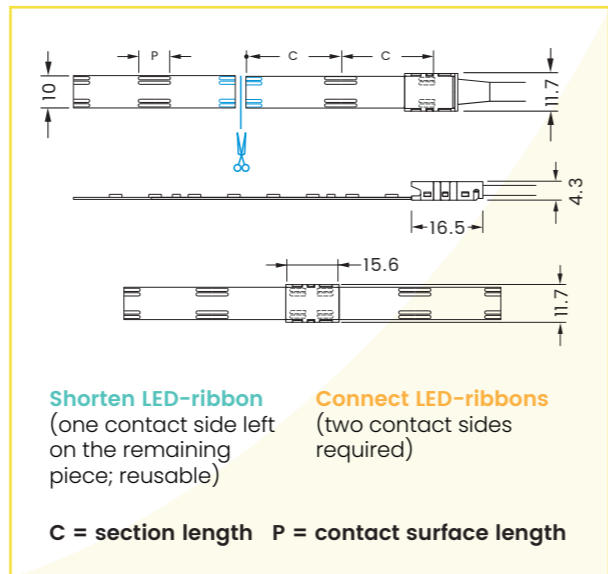
LS4080



Area of application

- decorative light
- ceiling

Material	plastic
Surface finish	white
Width	10 mm
Height	1,5 mm
Dimmable	yes
Degree of protection	IP20
Lifetime L80/B10	>50.000 h
Lifetime L70/B50	>80.000 h
Installation	self-adhesive
Scope of delivery	1 role (5 m)



LS4080

Number of LEDs	Wattage	Luminous flux	Lumen efficacy	Colour Rendering Index CRI	Colour temperature	Energy efficiency class	Max. ribbon length (visual)	Section length	Contact surface length	Article number
LEDs/m	W/m	lm/m	lm/W	Ra R9	K	EEL	m	mm	mm	5m

LS4080 for decorative light, ceiling

120	10	---	---	---	---	RGB	---	10,0	50,0	3,0	200.12.00.001
-----	----	-----	-----	-----	-----	-----	-----	------	------	-----	---------------

i RGB LED-ribbons can only be controlled with **smart drivers** and **VoxAura remote control**. Please refer to below order info.

i Calculate the wattage requirement of the LED-ribbon in the desired length and select a driver that can supply the required power. In addition to the requirements of the LED-ribbon, please also take into account the requirements of other lights/consumers that are connected to the same driver. The total wattage requirement of all connected loads must not exceed the output of the driver.

ORDER INFO	Additional connecting accessories need to be ordered separately	
	Smart-drivers + control unit	see page 125
	1 connecting cable 2 m incl. clip connector (4-pin) 10 mm, 24V	209.19.00.010
	Straight connectors (4-pin) 10 mm (10 pcs)	209.19.00.008
	remote control	123.00.01.001

SMD LED-RIBBONS

24V
 RGB-multiwhite (6-pin), 12 mm



- HIGH CRI **93**
- 16.7 MIO TUNABLE COLOURS

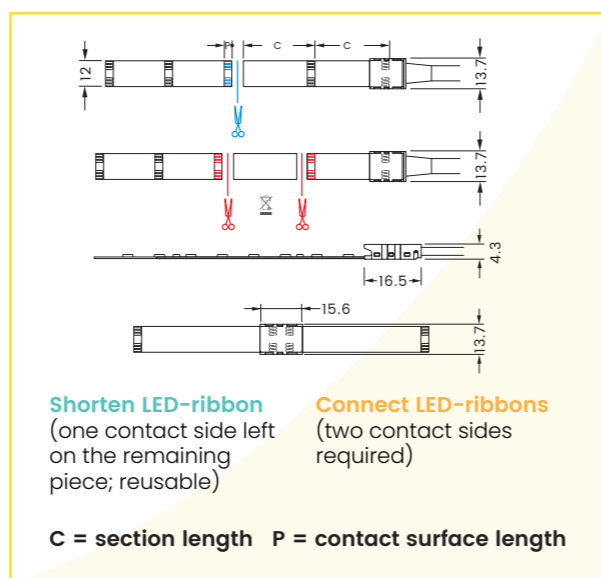
LS4090



Area of application
 ▪ ceiling
 (not for furniture)



Material	plastic
Surface finish	white
Width	12 mm
Height	1,5 mm
Dimmable	yes
Degree of protection	IP20
Lifetime L80/B10	>50.000 h
Lifetime L70/B50	>80.000 h
Installation	self-adhesive
Scope of delivery	1 role (5 m)



Illuminance in lx based on 1 m strip length:

	120°	2700K	5000K
250 mm		6130 lx	6475 lx
500 mm		1535 lx	1620 lx
750 mm		680 lx	720 lx
1000 mm		385 lx	405 lx

LS4090

Number of LEDs	Wattage	Luminous flux	Lumen efficacy	Colour Rendering Index CRI	Colour temperature	Energy efficiency class	Max. ribbon length (visual)	Section length	Contact surface length	Article number
LEDs/m	W/m	lm/m	lm/W	Ra R9	K	EEL	m	mm	mm	
										5 m

LS4090 for ceiling

180	10	1250 - 1350	125 - 135	93 >50	RGB MW: 2700-5000		10,0	100	3,0	200.13.00.001
-----	----	-------------	-----------	--------	-------------------	--	------	-----	-----	---------------

i RGB-multiwhite LED-ribbons can only be controlled with **smart drivers** and **VoxAura remote control**. Please refer to below order info.

i Calculate the wattage requirement of the LED-ribbon in the desired length and select a driver that can supply the required power. In addition to the requirements of the LED-ribbon, please also take into account the requirements of other lights/consumers that are connected to the same driver. The total wattage requirement of all connected loads must not exceed the output of the driver.

ORDER INFO

Additional connecting accessories need to be ordered separately

	Smart-drivers + control unit	see page 125
	1 connecting cable 2 m incl. clip connector (6-pin) 12 mm, 24V	209.19.00.012
	Straight connectors (6-pin) 12 mm (10 pcs)	209.19.00.011
	remote control	123.00.01.001

COB LED-RIBBONS

24V
monochrome (2-pin), 5 mm



- HIGH CRI **93**
- HIGH LUMINOUS FLUX
- BEAM ANGLE **180°**

LS4030

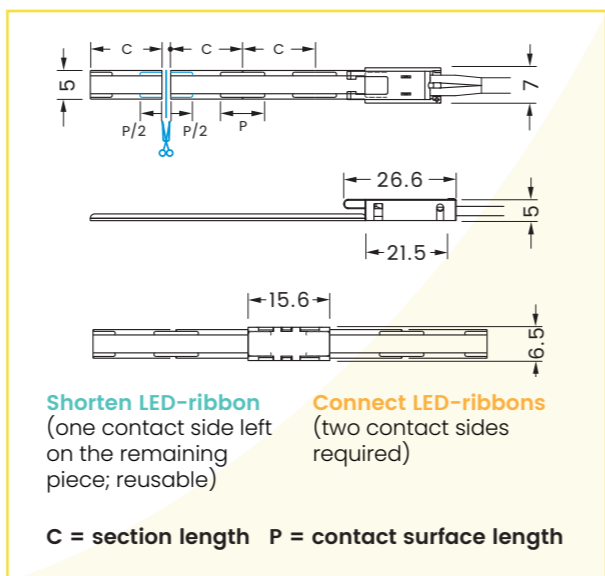


Material	plastic
Surface finish	silver
Width	5 mm
Height	1,5 mm
Dimmable	yes
Degree of protection	IP20
Lifetime L80/B10	>50.000 h
Lifetime L70/B50	>80.000 h
Installation	self-adhesive
Scope of delivery	1 role (5 m)



Illuminance in lx based on 1 m strip length:

	180°	2700K	5000K	3000K	4000K
250 mm	☀	1615 lx	1805 lx	1700 lx	1805 lx
500 mm	☀	405 lx	450 lx	425 lx	450 lx
750 mm	☀	180 lx	200 lx	190 lx	200 lx
1000 mm	☀	100 lx	115 lx	105 lx	115 lx



LS4030

Number of LEDs	Wattage	Luminous flux	Lumen efficacy	Colour Rendering Index CRI	Colour temperature	Energy efficiency class	Max. ribbon length (visual)	Section length	Contact surface length	Article number
LEDs/m	W/m	lm/m	lm/W	Ra R9	K	EEL	m	mm	mm	5 m

LS4030 for furniture

320	5	450	90	93 >50	2700	A G F	5,0	12,5	10,0	200.10.00.025
	5	475	95	93 >50	3000	A G F	5,0	12,5	10,0	200.10.00.026
	5	500	100	93 >50	4000	A G F	5,0	12,5	10,0	200.10.00.027
	5	500	100	93 >50	5000	A G F	5,0	12,5	10,0	200.10.00.028

i COB LED-ribbons are characterized by a wide beam angle of 180° and homogeneous illumination without visible LED dots.

i Calculate the wattage requirement of the LED-ribbon in the desired length and select a driver that can supply the required power. In addition to the requirements of the LED-ribbon, please also take into account the requirements of other lights/consumers that are connected to the same driver. The total wattage requirement of all connected loads must not exceed the output of the driver.

ORDER INFO

Additional connecting accessories need to be ordered separately

	Drivers (integrated)	see page 135
	Smart-drivers + control unit	see page 125
	1 connecting cable 2 m incl. clip connector (2-pin) 5 mm, 24V	209.19.00.003
	Straight connectors (2-pin) 5 mm (10 pcs)	209.19.00.001
	90° corner connectors (2-pin) 5 mm (10 pcs)	209.19.00.002

COB LED-RIBBONS

24V

monochrome (2-pin) / multiwhite (2-pin), 8 mm



- HIGH CRI 93
- HIGH LUMINOUS FLUX
- BEAM ANGLE 180°

LS4031



Area of application

- showroom
- ceiling

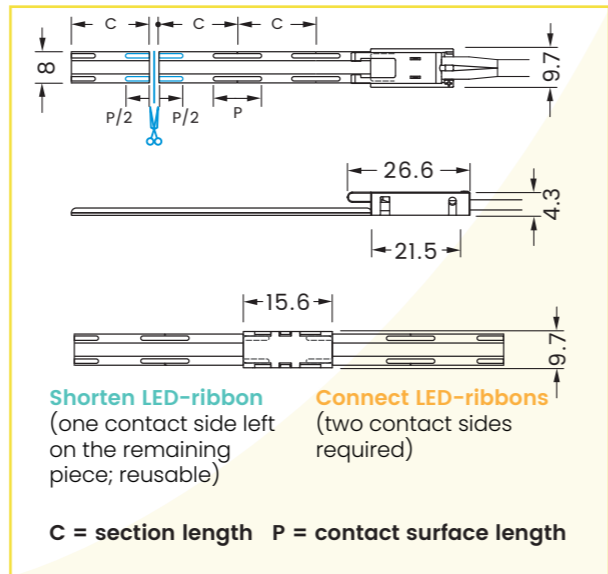


Material	plastic
Surface finish	silver
Width	8 mm
Height	1,5 mm
Dimmable	yes
Degree of protection	IP20
Lifetime L80/B10	>50.000 h
Lifetime L70/B50	>80.000 h
Installation	self-adhesive
Scope of delivery	1 role (5 m)

Illuminance in lx based on 1 m strip length:

LED	180°	2700K 5000K 3000K 4000K			
		250 mm	☀	2650 lx	2925 lx
500 mm	☀	665 lx	730 lx	700 lx	730 lx
750 mm	☀	295 lx	325 lx	315 lx	325 lx
1000 mm	☀	165 lx	185 lx	175 lx	185 lx

LED	180°	2700K 5000K	
		250 mm	☀
500 mm	☀	630 lx	665 lx
750 mm	☀	280 lx	295 lx
1000 mm	☀	155 lx	165 lx



LS4031

Number of LEDs	Wattage	Luminous flux	Lumen efficacy	Colour Rendering Index CRI	Colour temperature	Colour system	Energy efficiency class	Max. ribbon length (visual)	Section length	Contact surface length	Article number
LEDs/m	W/m	lm/m	lm/W	Ra R9	K		EEL	m	mm	mm	5 m

LS4031 for showroom, ceiling

320	8	720	90	93	>50	2700	mc	F	5,0	12,5	10,0	200.10.00.029
	8	760	95	93	>50	3000	mc	F	5,0	12,5	10,0	200.10.00.030
	8	800	100	93	>50	4000	mc	F	5,0	12,5	10,0	200.10.00.031
	8	800	100	93	>50	5000	mc	F	5,0	12,5	10,0	200.10.00.032
640	8	680 - 720	85 - 90	93	>50	2700-5000	mw	F	5,0	12,5	10,0	200.11.00.002

COB LED-ribbons are characterized by a wide beam angle of 180° and homogeneous illumination without visible LED dots.

Multiwhite LED-ribbons can only be operated with smart-drivers. Please refer to the order info below.

Calculate the wattage requirement of the LED-ribbon in the desired length and select a driver that can supply the required power. In addition to the requirements of the LED-ribbon, please also take into account the requirements of other lights/consumers that are connected to the same driver. The total wattage requirement of all connected loads must not exceed the output of the driver.

ORDER INFO

Additional connecting accessories need to be ordered separately

	Drivers (integrated)	see page 135
	Smart-drivers + control unit	see page 125
	1 connecting cable 2 m incl. clip connector (2-pin) 8 mm, 24V	209.19.00.004
	Straight connectors (2-pin) 8 mm (10 pcs)	209.09.00.001
	90° corner connectors (2-pin) 8 mm (10 pcs)	209.09.00.002

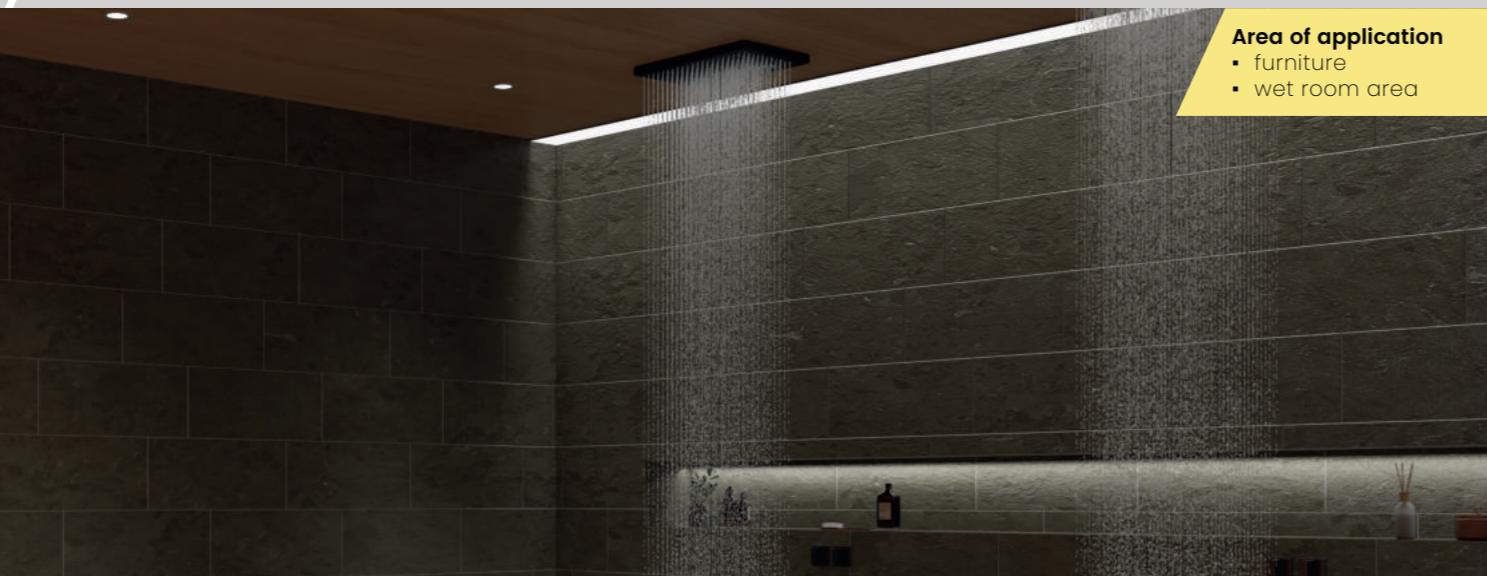
SILICONE LED-RIBBONS

24V
 monochrome (2-pin) / multiwhite (2-pin), 4 mm



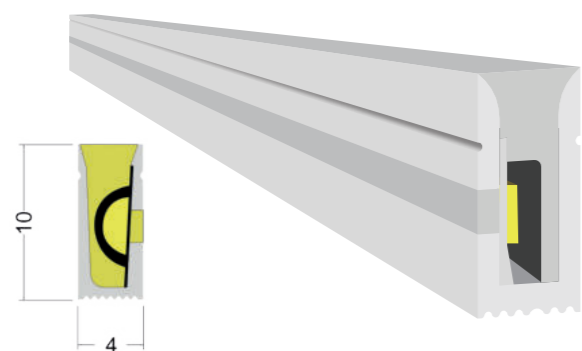
- HIGH CRI 93
- IP44
- SIDE RADIATION

LS4040



Area of application

- furniture
- wet room area

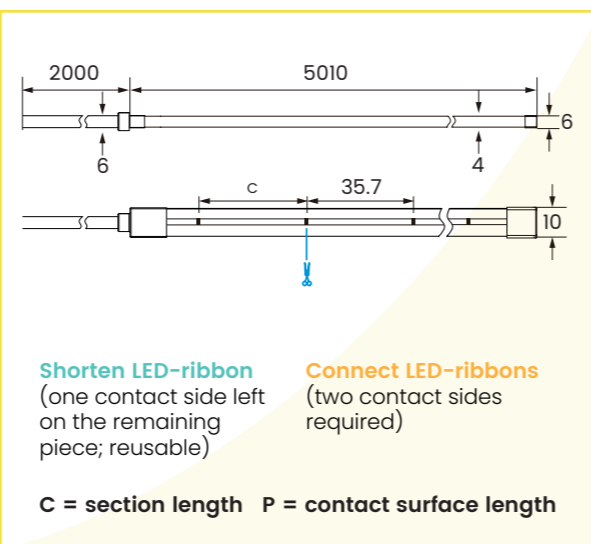


Material	silicone
Surface finish	white
Width	4 mm (8 mm PCB)
Height	10 mm
Dimmable	yes
Degree of protection	IP44
Lifetime L80/B10	>50.000 h
Lifetime L70/B50	>80.000 h
Installation	profile fixing
Scope of delivery	1 role (5 m)

Illuminance in lx based on 1 m strip length:

LED	120°	Colour temperature			
		2700K	5000K	3000K	4000K
250 mm		1225 lx	1400 lx	1310 lx	1400 lx
500 mm		305 lx	350 lx	330 lx	350 lx
750 mm		135 lx	155 lx	145 lx	155 lx
1000 mm		75 lx	85 lx	80 lx	85 lx

LED	120°	Colour temperature	
		2700K	5000K
250 mm		1095 lx	1225 lx
500 mm		275 lx	305 lx
750 mm		120 lx	135 lx
1000 mm		65 lx	75 lx



LS4040

Number of LEDs	Wattage	Luminous flux	Lumen efficacy	Colour Rendering Index CRI	Colour temperature	Colour system	Energy efficiency class	Max. ribbon length (visual)	Section length	Contact surface length	Article number
LEDs/m	W/m	lm/m	lm/W	Ra	R9	K	EEL	m	mm	mm	5 m

LS4040 for furniture, wet room area

320	8	224	28	93	>50	2700	mc		8,0	12,5	4,0	200.10.10.001
	8	240	30	93	>50	3000	mc		8,0	12,5	4,0	200.10.10.002
	8	256	32	93	>50	4000	mc		8,0	12,5	4,0	200.10.10.003
	8	256	32	93	>50	5000	mc		8,0	12,5	4,0	200.10.10.004
640	8	200 - 224	25 - 28	93	>50	2700-5000	mw		8,0	12,5	4,0	200.11.10.009

i Thanks to their increased IP protection rating (IP44), silicone LED-ribbons are also **suitable for use in wet rooms such as bathrooms**. Please note that the driver and primary lead must be installed in a dry area.

Silicone LED-ribbons are characterized by light emission even on the small side of the ribbon, **without visible LED dots**.

Due to the material properties of silicone, silicone LED-ribbons **can also be installed in waves and circles**, whereby a radius of at least 30 mm must be observed.

Multiwhite LED-ribbon can only be operated with smart-drivers.

The specified lifetime refers to operation at ambient temperature up to +45°C. Please note that a higher ambient temperature will shorten the lifetime.

i Calculate the wattage requirement of the LED-ribbon in the desired length and select a driver that can supply the required power. In addition to the requirements of the LED-ribbon, please also take into account the requirements of other lights/consumers that are connected to the same driver. The total wattage requirement of all connected loads must not exceed the output of the driver.

ORDER INFO

Accessories for installation and connection need to be ordered separately.



driver (integrated, smart)

see page 124



1 connecting cable 2 m incl. clip connector (2-pin) 8 mm, 24V + 1 end cap and 2 shrink tubes

209.19.00.014



Profile aluminum API000

208.99.22.001

SILICONE LED-RIBBONS

24V
 monochrome (2-pin) / multiwhite (2-pin), 10 mm



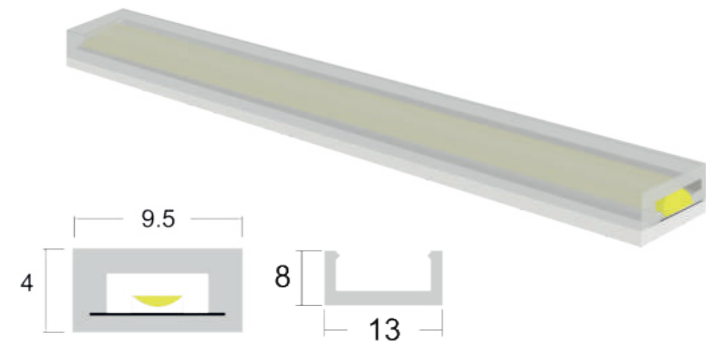
- HIGH CRI 93
- IP44
- SIDE RADIATION

LS4041



Area of application

- ceiling
- wet room area

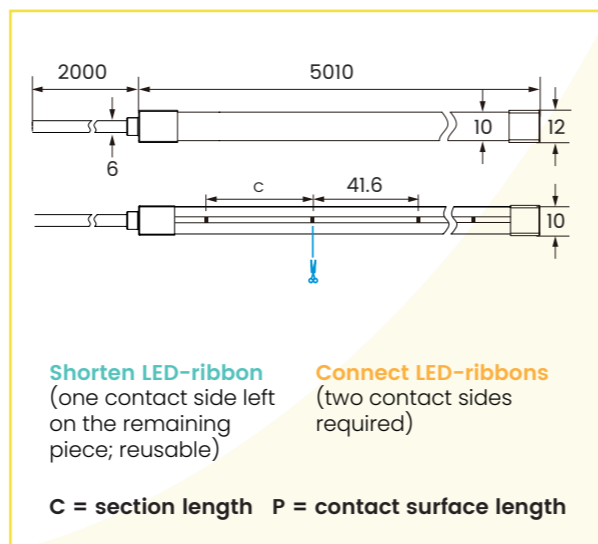


Material	silicone
Surface finish	white
Width	10 mm (8 mm PCB)
Height	4 mm
Dimmable	yes
Degree of protection	IP44
Lifetime L80/B10	>50.000 h
Lifetime L70/B50	>80.000 h
Installation	clip fixing (2 pcs/m)
Scope of delivery	1 role (5 m) incl. 10 clips

Illuminance in lx based on 1 m strip length:

LED	120°	2700K 5000K 3000K 4000K			
		250 mm	2355 lx	2650 lx	2500 lx
500 mm	590 lx	665 lx	630 lx	665 lx	
750 mm	260 lx	295 lx	280 lx	295 lx	
1000 mm	145 lx	165 lx	155 lx	165 lx	

LED	120°	2700K 5000K	
		250 mm	2060 lx
500 mm	515 lx	590 lx	
750 mm	230 lx	260 lx	
1000 mm	125 lx	145 lx	



LS4041

Number of LEDs	Wattage	Luminous flux	Lumen efficacy	Colour Rendering Index CRI	Colour temperature	Colour system	Energy efficiency class	Max. ribbon length (visual)	Section length	Contact surface length	Article number
LEDs/m	W/m	lm/m	lm/W	Ra R9	K		EEL	m	mm	mm	5 m

LS4041 for ceiling, wet room area

320	8	640	80	93	>50	2700	mc	G	8,0	12,5	10,0	200.10.10.005
	8	680	85	93	>50	3000	mc	G	8,0	12,5	10,0	200.10.10.006
	8	720	90	93	>50	4000	mc	G	8,0	12,5	10,0	200.10.10.007
	8	720	90	93	>50	5000	mc	G	8,0	12,5	10,0	200.10.10.008
640	8	560 - 640	70 - 80	93	>50	2700-5000	mw	G	8,0	12,5	10,0	200.11.10.008

Thanks to their increased IP protection rating (IP44), silicone LED-ribbons are also **suitable for use in wet rooms such as bathrooms**. Please note that the driver and primary lead must be installed in a dry area.

Silicone LED-ribbons are characterized by light emission even on the small side of the ribbon, **without visible LED dots**.

Due to the material properties of silicone, silicone LED-ribbons **can also be installed in waves and circles**, whereby a radius of at least 30 mm must be observed.

Multiwhite LED-ribbon can only be operated with smart-drivers.

The specified lifetime refers to operation at ambient temperature up to +45°C. Please note that a higher ambient temperature will shorten the lifetime.

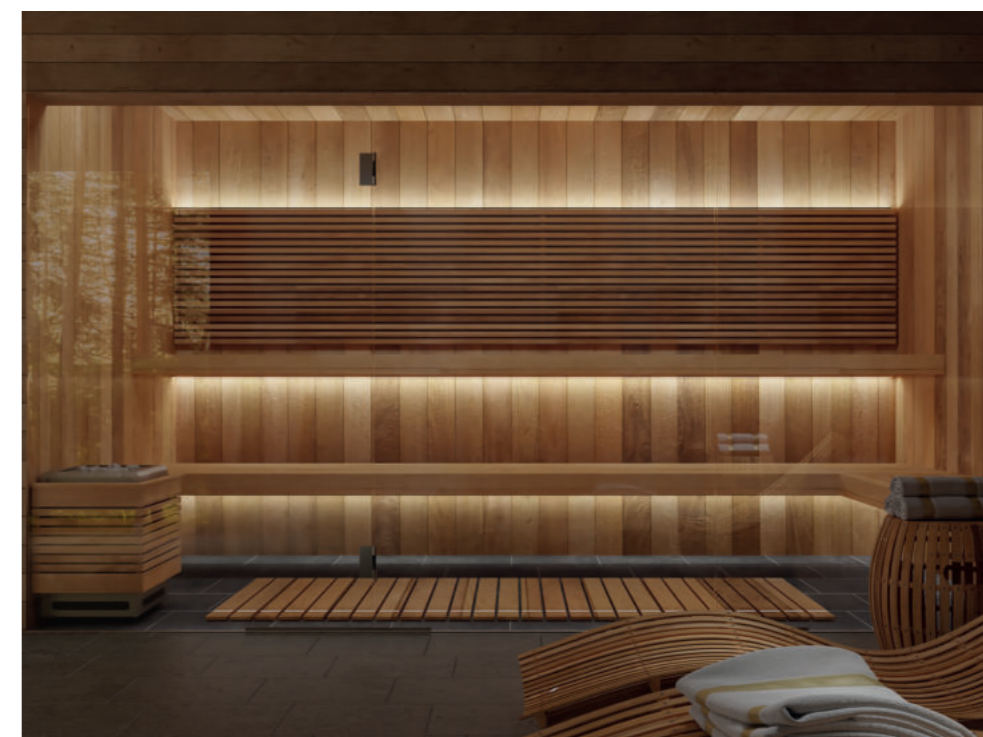
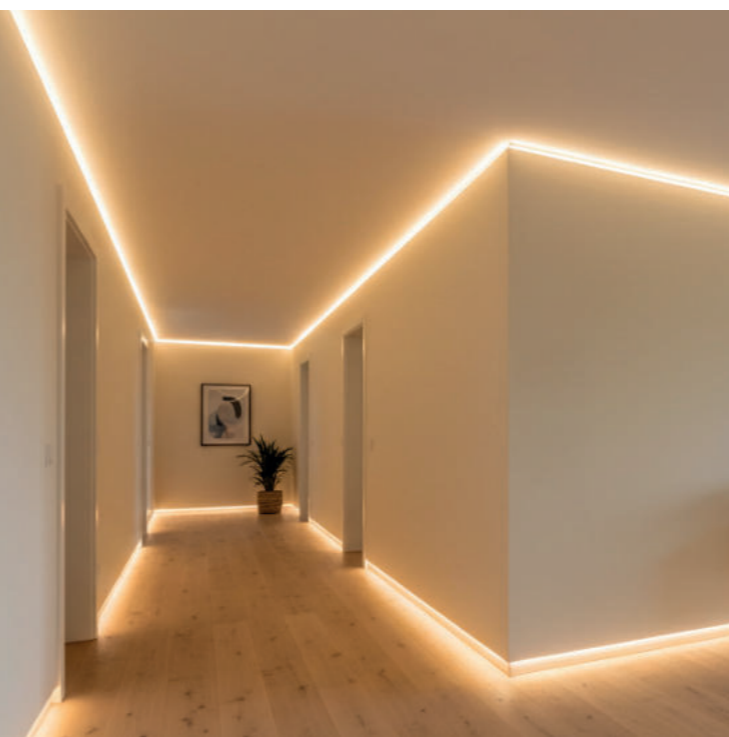
Calculate the wattage requirement of the LED-ribbon in the desired length and select a driver that can supply the required power. In addition to the requirements of the LED-ribbon, please also take into account the requirements of other lights/consumers that are connected to the same driver. The total wattage requirement of all connected loads must not exceed the output of the driver.

ORDER INFO	Additional connecting accessories need to be ordered separately	
	Drivers (integrated)	see page 135
	Smart-drivers + control unit	see page 125
	1 connecting cable 2 m incl. clip connector (2-pin) 8 mm, 24V + 1 end cap and 2 shrink tubes	209.19.00.014



PROFILES

WIDE RANGE OF APPLICATIONS
THROUGHOUT THE HOUSE



PROFILES

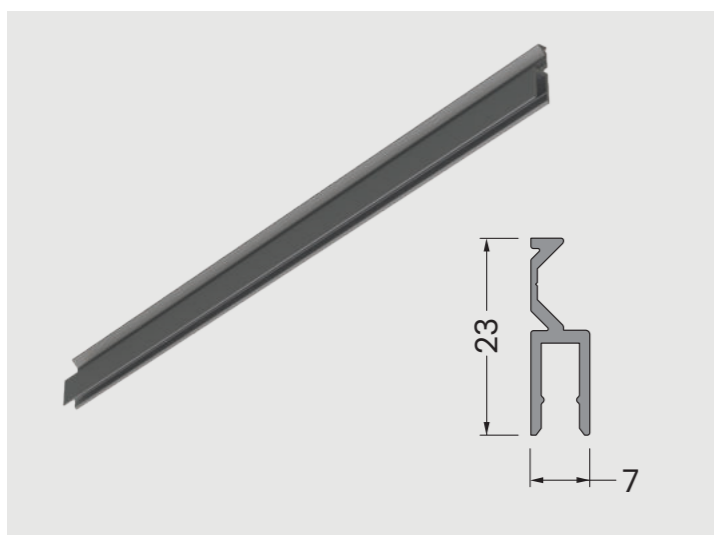
for LED-ribbons

Why LED-ribbons belong in aluminum profiles

The professional solution for durable, high-quality lighting installations:

- **Optimal heat dissipation** – reduces operating temperature, extends the service life of LED-ribbons and minimizes thermal stress on furniture surfaces.
- **Consistent light quality over the entire length** – lower thermal load means less brightness drop.
- **Protection against dust and dirt** – for consistently stable light output.
- **Homogeneous light image** – a diffuser can only be used in the profile.
- **Easy to clean** – cover instead of sensitive LED surface.
- **Precise guidance & secure fixing** – precise integration into furniture.
- **Clean finish** – technically and visually high-quality solution.

AP1000 – FOR PLINTH

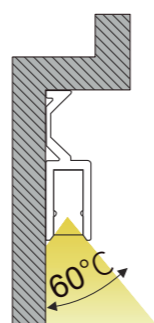


Material / colour (profile)	aluminum / grey
Material / colour (diffusor)	no diffusor
Dimensions (LxWxH)	1000 x 7 x 23 mm
Routing (width x depth)	---
Diffusor (width)	no diffusor
Transmittance diffusor	no diffusor
Suit for ribbons	4 x 10 mm silicone ribbons (LS4040)
Area of application	plinth
Installation	surface mounting
Scope of delivery	1 profile incl. fixing
Article number	208.99.22.001



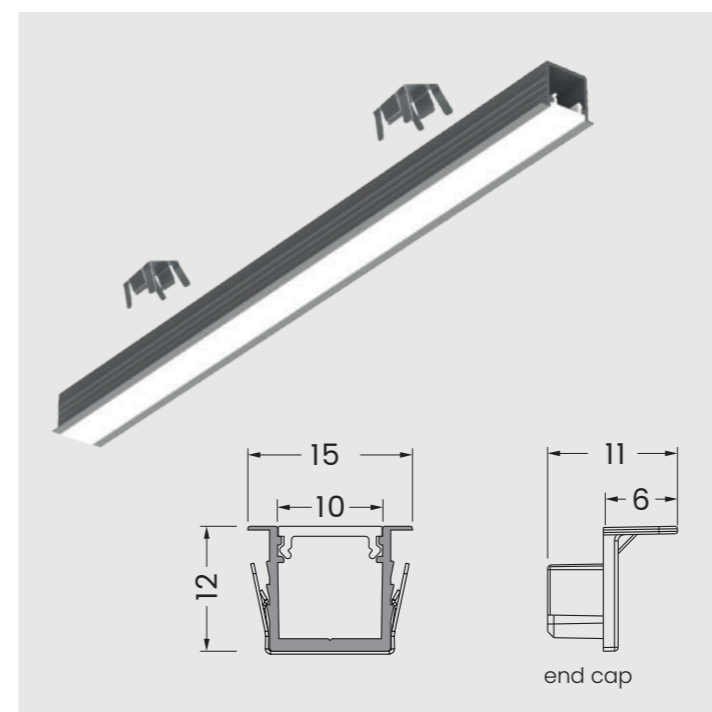
Beam angle:

Brightness and colour temperature are determined by the LED-ribbon.



AP1004 – RECESSED MOUNTED

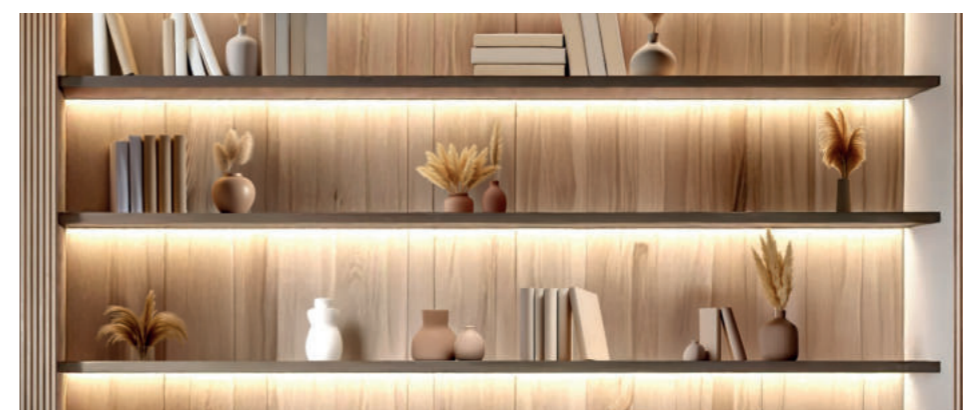
Recessed mounted profiles are particularly suitable **for lighting furniture**. Thanks to this recessed installation method, the profile with the integrated LED-ribbon is concealed within the furniture, leaving only the light visible. Recessed profiles can also be used for installation in ceilings or walls, provided these are suspended ceilings or drywalls.



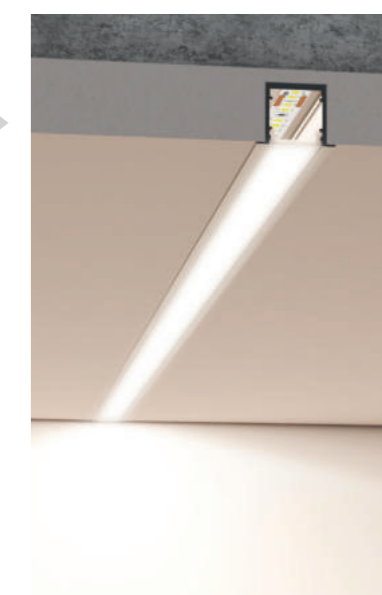
Material / colour (profile)	aluminum / grey
Material / colour (diffusor)	plastic / milky white
Dimensions (LxWxH)	3000 x 15 x 12 mm
Routing (width x depth)	12 x 12 mm
Diffusor (width)	10,2 mm
Transmittance diffusor	80%
Suit for ribbons	≤ 8 mm
Area of application	in furniture, suspended ceilings & drywall
Installation	recessed mounting, 3 clips / m needed
Scope of delivery	1 profile incl. fixing, 9 clips and 6 end caps
Article number	208.99.22.007

i Diffusors ensure uniform light. LED dots are not visible from T28 LED/m.

recessed in furniture



recessed in suspended ceiling

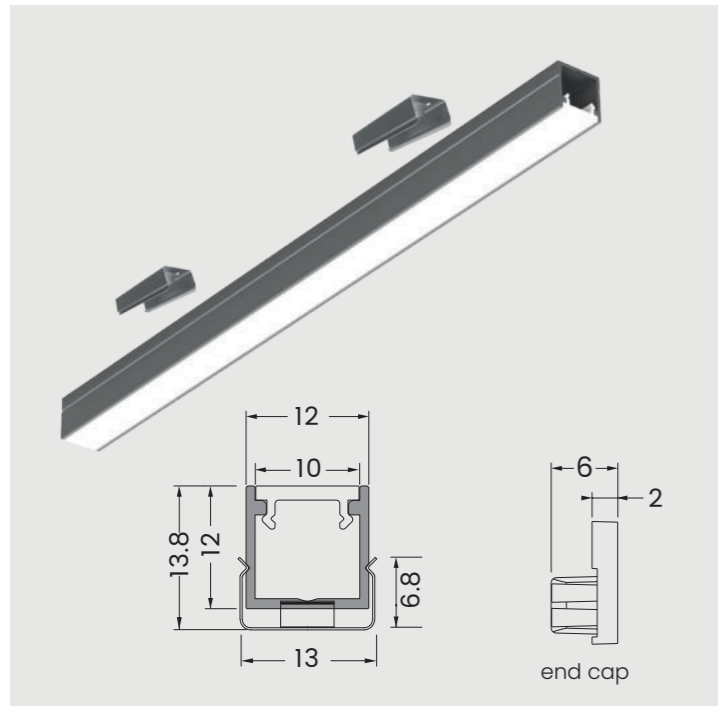


PROFILES

for LED-ribbons

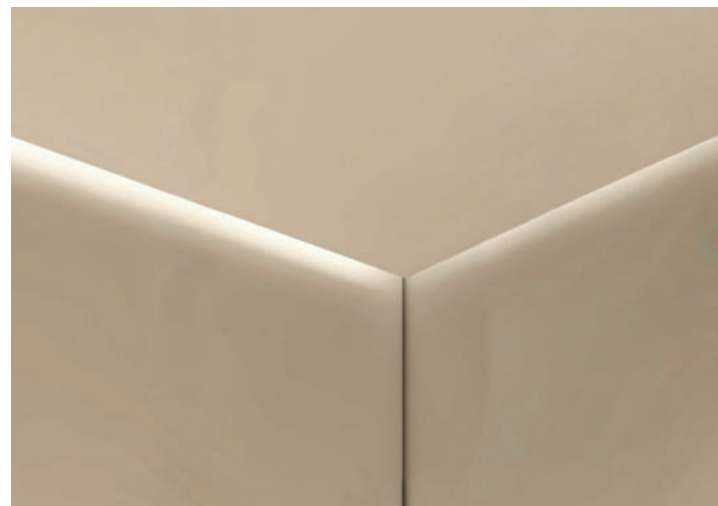
AP1002 – SURFACE MOUNTED

Surface-mounted profiles are particularly suitable **for lighting ceilings**. This requires a drywall or a suspended ceiling so that the profile can be mounted behind it, ensuring that the profile with its integrated LED-ribbon remains hidden, providing indirect lighting for the ceiling. Using a multiwhite high-lumen LED-ribbon (e.g. LS4050) offers a variety of lighting options: from bright, cool white working light to neutral white ambient lighting and indirect, warm white mood lighting.



Material / colour (profile)	aluminum / grey
Material / colour (diffusor)	plastic / milky white
Dimensions (LxWxH)	3000 x 12 x 12 mm
Routing (width x depth)	---
Diffusor (width)	10,2 mm
Transmittance diffusor	80%
Suit for ribbons	≤ 8 mm
Area of application	suspended ceiling
Installation	surface mounting, 3 clips / m needed
Scope of delivery	1 profile incl. fixing, 9 clips and 6 end caps
Article number	208.99.22.003

i Diffusors ensure uniform light. LED dots are not visible from 128 LED/m.



Ambient lighting

- neutral white
- 4000 K
- brightness 50%



Ambient lighting

- warm white
- 2700 K
- brightness 100%

Mood lighting

- warm white
- 2700 K
- brightness 20%



LINEAR LIGHTS

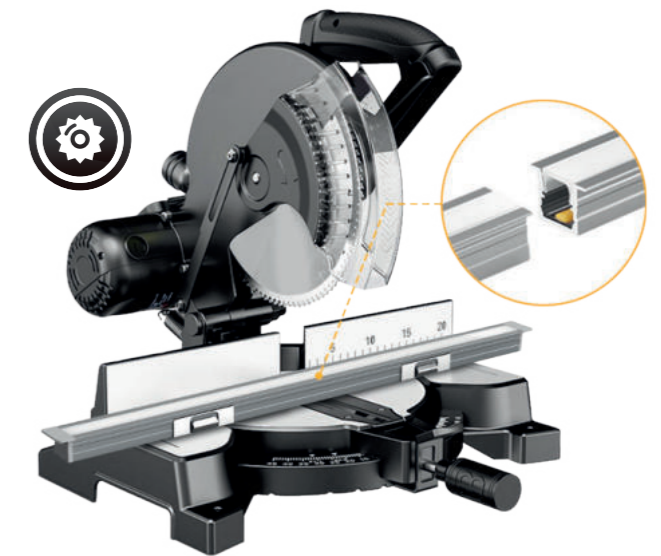
Simply cut
to size with a
cross-cut saw



SMARTSTOCK CUT-TO-SIZE

Profile length depends on furniture

- VoxAura LED-ribbons are pre-assembled in various aluminum profiles (3 m) incl. diffusor.
- Simply cut to required size on-site.
- **Assembly in no time:** Just clip end cap and power cable onto cutted profile - done.

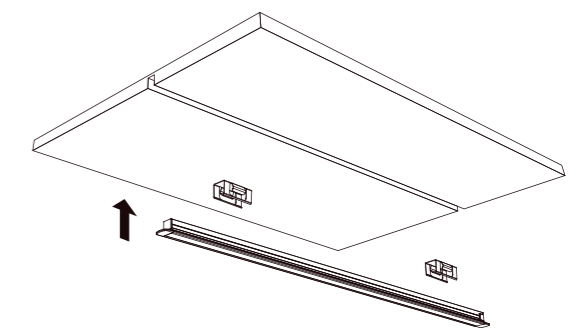


PLUG-AND-PLAY SYSTEM

Make your furniture last for centuries.

Our recessed profiles are **installed without glue** and any resulting damage of furniture by **clip-in system**: Screw the clips into furniture and clip-in the profile (3 clips / m).

This system allows simple and **damage-free adjustment** in future.



Linear light with clips for
easy installation

LINEAR LIGHTS

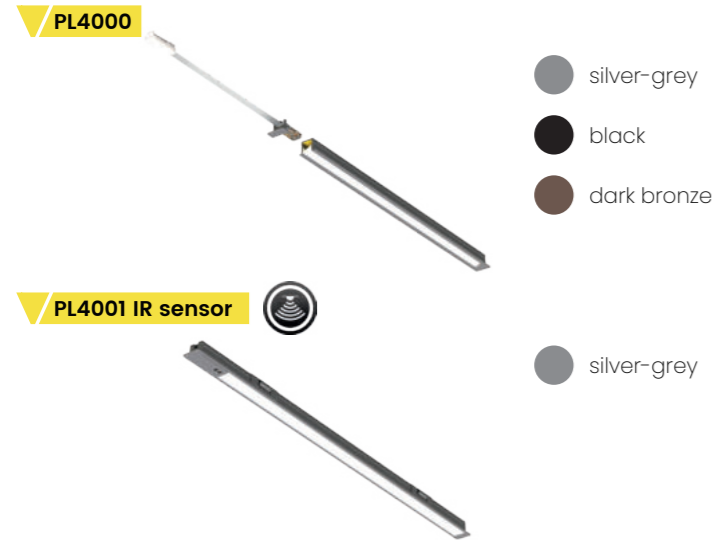
24V

monochrome (2-pin) / multiwhite (2-pin), middle recessed mounted

PL4000 / PL4001



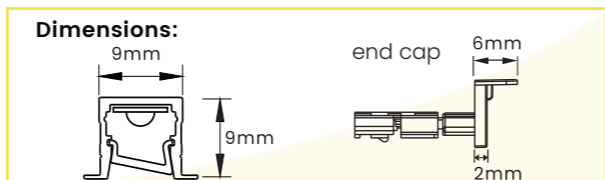
- HIGH CRI 93
- HIGHEST LUMINOUS FLUX
- CUT-TO-SIZE
- PLUG AND PLAY SYSTEM



Material	aluminum
Surface finish	silver-grey / black / dark bronze
Kind of LED	COB
Dimmable	yes (PL4000) / no (PL4001)
Degree of protection	IP20
Lifetime L80/B10	>50.000 h
Lifetime L70/B50	>80.000 h
Installation	recessed mounting + clip, 3 clips / m needed
Scope of delivery	1 linear light (PL4000) 1 linear light incl. connecting cable 2 m & 3 clips (PL4001)

ORDER INFO: For PL4000 accessories for installation need to be ordered separately, please refer to the right.

PL4001 features an **integrated switch** that turns the light on when warm objects move through the sensor's filed of view. To ensure that the switch can also switch the light on when the driver is switched off, the light must be **connected to an uncontrolled output port of the driver.**



90° **PL4000**

	2700K	5000K	3000K	4000K
250 mm	418lx	561lx	464lx	510lx
500 mm	104lx	140lx	116lx	128lx
750 mm	46lx	62lx	52lx	57lx
1000 mm	26lx	35lx	29lx	32lx

90° **PL4001**

	3000K
250 mm	368lx
500 mm	92lx
750 mm	41lx
1000 mm	23lx

PL4000 / PL4001

Number of LEDs	Wattage	Luminous flux	Lumen efficacy	Colour Rendering Index CRI	Colour temperature	Colour system	EEL	Customized size	Dimensions (L x W x H)	Article number	Article number	Article number
LEDs/m	W/m	lm/m	lm/W	Ra R9	K				mm	silver-grey	black	dark bronze

PL4000

320	5	118	24	93	>50	3000	mc	cut-to-size freely	3000 x 12 x 9	201.10.22.001	201.10.21.001	201.10.23.001
	5	130	26	93	>50	4000				201.10.22.002	201.10.21.002	201.10.23.002
640	5	130	26	93	>50	2700 - 5000	mw			201.11.22.001	201.11.21.001	201.11.23.001

PL4001 IR sensor

320	5	118	24	93	>50	3000	mc	cut-to-size one side	1000 x 12 x 9	201.10.22.003	---	---
-----	---	-----	----	----	-----	------	----	----------------------	---------------	---------------	-----	-----

Installation:

PL4000

drill hole

slot length = light length + 4 mm

The light is recessed in the middle part of the wood-board

PL4001 IR sensor

drill hole

slot length = light length + 4 mm cut-to-size on side without sensor

The light is recessed in the middle part of the wood-board

i The direction in which the light is emitted can be varied by turning the diffusor. Simply pull out the diffusor and reinsert it at an angle in the other direction.

ORDER INFO: For PL4000 accessories for installation need to be ordered separately.

silver-grey	150.10.00.001
black	201.99.91.001
dark bronze	201.99.93.001

Accessories set incl. connecting cable 2 m, 9 mounting clips and 1 end cap

LINEAR LIGHTS

24V
 monochrome (2-pin) / multiwhite (2-pin),
 rear mounted



- HIGH CRI **93**
- HIGHEST LUMINOUS FLUX
- CUT-TO-SIZE
- PLUG AND PLAY SYSTEM

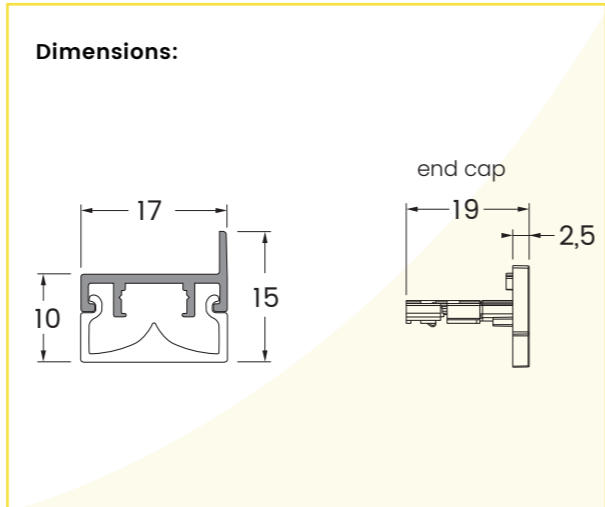
PL4002



- silver-grey
- black

Material	aluminum
Surface finish	silver-grey / black
Kind of LED	COB
Dimmable	yes
Degree of protection	IP20
Lifetime L80/B10	>50.000 h
Lifetime L70/B50	>80.000 h
Installation	recessed mounting
Scope of delivery	1 linear light

ORDER INFO:
 Accessories for installation need to be ordered separately, please refer to the right.

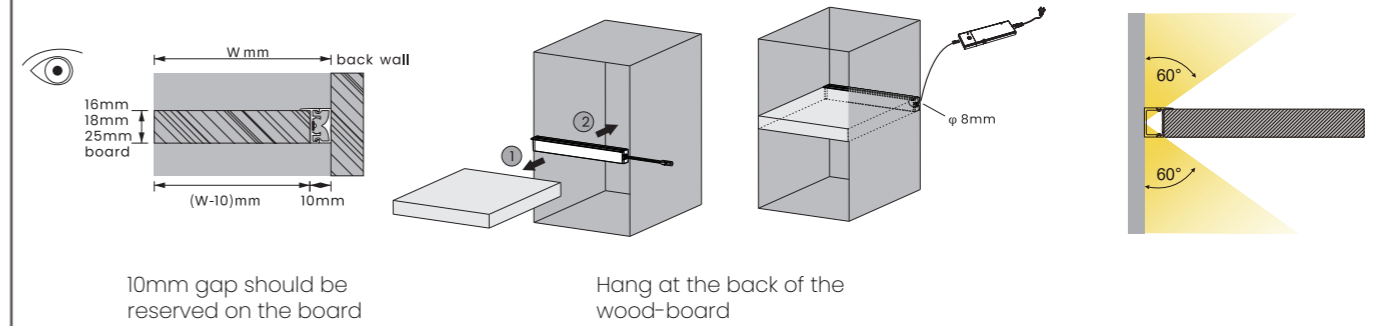


	60°	2700K	5000K	3000K	4000K
250 mm		144lx	194lx	160lx	176lx
500 mm		36lx	48lx	40lx	44lx
750 mm		16lx	22lx	18lx	20lx
1000 mm		9lx	12lx	10lx	11lx

PL4002

Number of LEDs	Wattage	Luminous flux	Lumen efficacy	Colour Rendering Index CRI		Colour temperature	Colour system	EEL	Customized size	Dimensions (L x W x H)	Article number	Article number
LEDs/m	W/m	lm/m	lm/W	Ra	R9	K				mm	silver-grey	black
320	5	114	22	93	>50	3000	mc			3000 x 17 x 15	201.10.22.020	201.10.21.020
	5	126	25	93	>50	4000					201.10.22.021	201.10.21.021
640	5	126	25	93	>50	2700 - 5000	mw				201.11.22.002	201.11.21.002

Installation diagram:



ORDER INFO



Accessories set incl. connecting cable 2 m and 1 end cap

- silver-grey 150.10.00.002
- black 201.99.91.002

LINEAR LIGHTS

24V

monochrome (2-pin) / multiwhite (2-pin), side-stand



- HIGH CRI 93
- HIGHEST LUMINOUS FLUX
- CUT-TO-SIZE
- PLUG AND PLAY SYSTEM

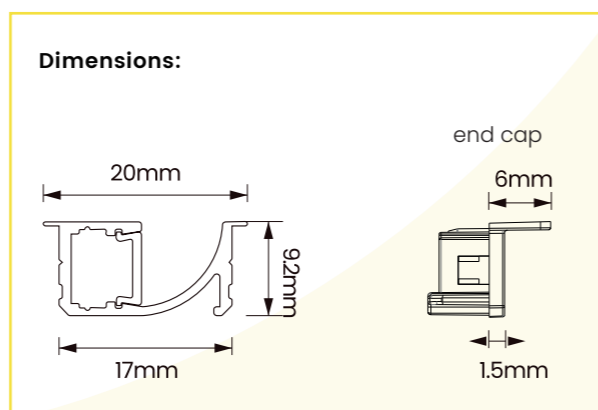
PL4011



- silver-grey
- black
- dark bronze

Material	aluminum
Surface finish	silver-grey / black / dark bronze
Kind of LED	COB
Dimmable	yes
Degree of protection	IP20
Lifetime L80/B10	>50.000 h
Lifetime L70/B50	>80.000 h
Installation	recessed mounting + clip 3 clips / m needed
Scope of delivery	1 linear light

ORDER INFO: Accessories for installation need to be ordered separately, please refer to the right.

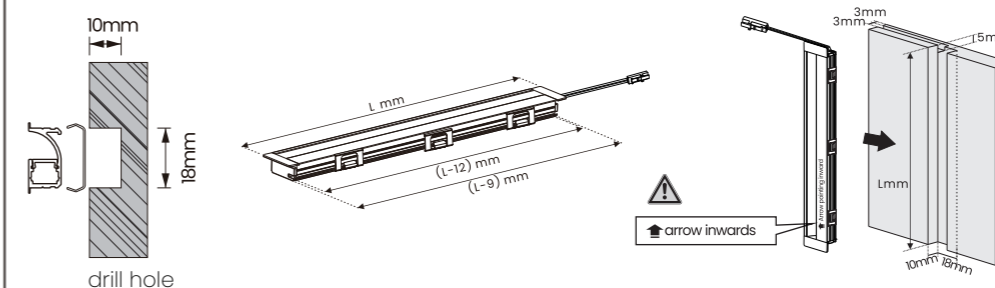


	2700K	5000K	3000K	4000K
250 mm	259lx	348lx	288lx	317lx
500 mm	65lx	87lx	72lx	79lx
750 mm	29lx	39lx	32lx	35lx
1000 mm	16lx	22lx	18lx	20lx

PL4011

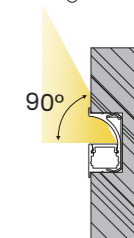
Number of LEDs	Wattage	Luminous flux	Lumen efficacy	Colour Rendering Index CRI	Colour temperature	Colour system	EEL	Customized size	Dimensions (L x W x H)	Article number	Article number	Article number
LEDs/m	W/m	lm/m	lm/W	Ra	R9	K			mm	silver-grey	black	dark bronze
320	5	50	10	93	>50	3000	mc	cut-to-size freely	3000 x 20 x 9,2	201.10.22.004	201.10.21.004	201.10.23.004
	5	55	11	93	>50	4000				201.10.22.005	201.10.21.005	201.10.23.005
640	5	55	11	93	>50	2700 - 5000	mw			201.11.22.003	201.11.21.003	201.11.23.003

Installation diagram:



Beam angle:

Brightness and colour temperature are determined by the linear light used.



ORDER INFO



Accessories set incl. 2 connecting cables 2 m & 2 end caps (each one for installation on the right and on the left) and 9 mounting clips

- silver-grey 150.10.00.003
- black 201.99.91.003
- dark bronze 201.99.93.003

LINEAR LIGHTS

24V
 monochrome (2-pin), clamp-on-glass (6 mm)



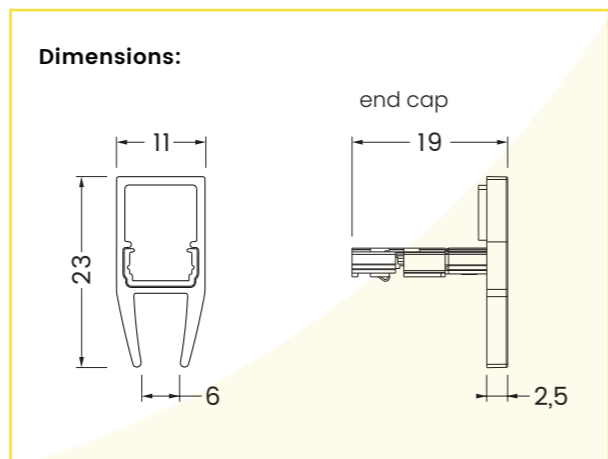
- HIGH CRI **93**
- HIGHEST LUMINOUS FLUX
- CUT-TO-SIZE
- PLUG AND PLAY SYSTEM

PL4003



Material	aluminum
Surface finish	silver-grey
Kind of LED	COB
Dimmable	yes
Degree of protection	IP20
Lifetime L80/B10	>50.000 h
Lifetime L70/B50	>80.000 h
Suitable for	glass 6 mm
Installation	surface mounting
Scope of delivery	1 linear light

ORDER INFO:
 Accessories for installation need to be ordered separately, please refer to the right.

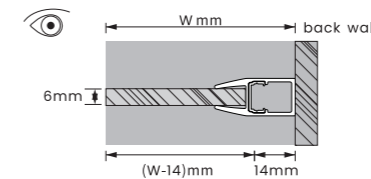
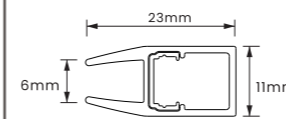


	120°	3000 K	4000 K
250 mm		496 lx	496 lx
500 mm		124 lx	124 lx
750 mm		55 lx	55 lx
1000 mm		31 lx	31 lx

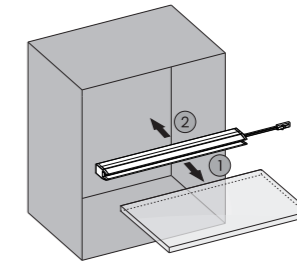
PL4003

Number of LEDs	Wattage	Luminous flux	Lumen efficacy	Colour Rendering Index CRI		Colour temperature	Colour system	Energy efficiency class	Customized size	Dimensions (L x W x H)	Article number
LEDs/m	W/m	lm/m	lm/W	Ra	R9	K		EEL		mm	
320	5	298	60	93	>50	3000	monochrome			3000 x 23 x 11	201.10.22.006
	5	328	66	93	>50	4000					201.10.22.007

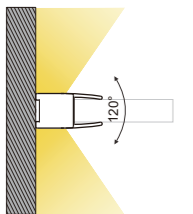
Installation diagram:



14 mm gap should be reserved from the glass panel to the rear board



Beam angle:



ORDER INFO



Accessories set incl. connecting cable 2 m and 1 end cap

150.10.00.004

LINEAR LIGHTS

24V
 monochrome (2-pin) / multiwhite (2-pin),
 clamp-on-glass (8 mm)



- HIGH CRI **93**
- HIGHEST LUMINOUS FLUX
- CUT-TO-SIZE
- PLUG AND PLAY SYSTEM

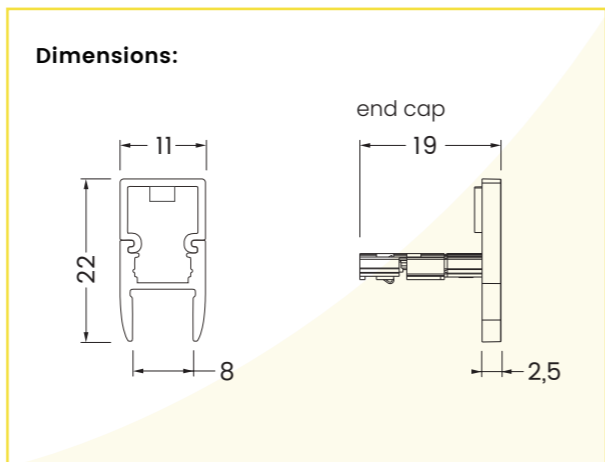
PL4004



- silver-grey
- black

Material	aluminum
Surface finish	silver-grey / black
Kind of LED	COB
Dimmable	yes
Degree of protection	IP20
Lifetime L80/B10	>50.000 h
Lifetime L70/B50	>80.000 h
Suitable for	glass 8 mm
Installation	surface mounting
Scope of delivery	1 linear light

ORDER INFO:
 Accessories for installation need to be ordered separately, please refer to the right.

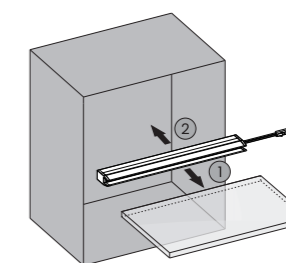
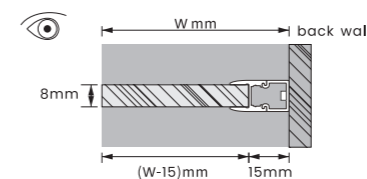
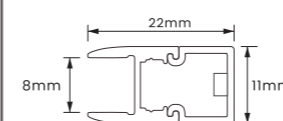


	120°	2700K	5000K	3000K	4000K
250 mm		346lx	465lx	384lx	448lx
500 mm		86lx	116lx	96lx	112lx
750 mm		38lx	52lx	43lx	50lx
1000 mm		22lx	29lx	24lx	28lx

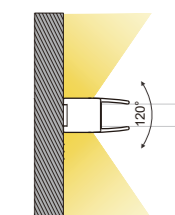
PL4004

Number of LEDs	Wattage	Luminous flux	Lumen efficacy	Colour Rendering Index CRI	Colour temperature	Colour system	EEL	Customized size	Dimensions (L x W x H)	Article number	Article number
LEDs/m	W/m	lm/m	lm/W	Ra	R9	K			mm	silver-grey	black
320	5	186	37	93	>50	3000	mc		3000 x 22 x 11	201.10.22.008	201.10.21.008
	5	205	41	93	>50	4000				201.10.22.009	201.10.21.009
640	5	205	41	93	>50	2700 - 5000	mw			201.11.22.004	201.11.21.004

Installation diagram:



Beam angle:



15 mm gap should be reserved from the glass panel to the rear board

ORDER INFO



Accessories set incl. connecting cable 2 m and 1 end cap

- silver-grey 150.10.00.005
- black 201.99.91.005

LINEAR LIGHTS

24V

monochrome (2-pin), drawer linear light



- HIGH CRI 93
- HIGHEST LUMINOUS FLUX
- CUT-TO-SIZE
- PLUG AND PLAY SYSTEM

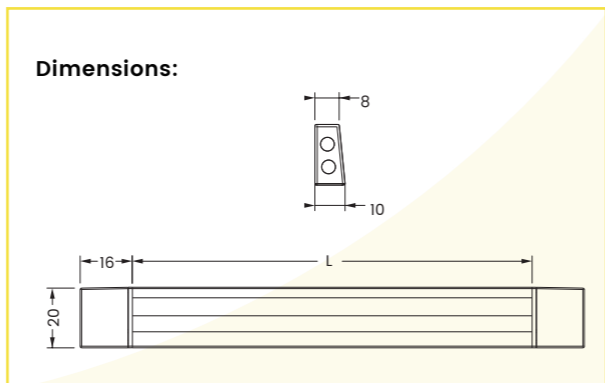
PL4005



- silver-grey
- black

Material	aluminum
Surface finish	silver-grey / black
Kind of LED	COB
Dimmable	no
Degree of protection	IP20
Lifetime L80/B10	>50.000 h
Lifetime L70/B50	>80.000 h
Installation	surface mounting
Scope of delivery	1 linear light incl. connecting cable 2 m

i PL4005 features an **integrated switch** that turns the light on when movement is detected. To ensure that the switch can also switch the light on when the driver is switched off, the light must be **connected to an uncontrolled output port of the driver**.

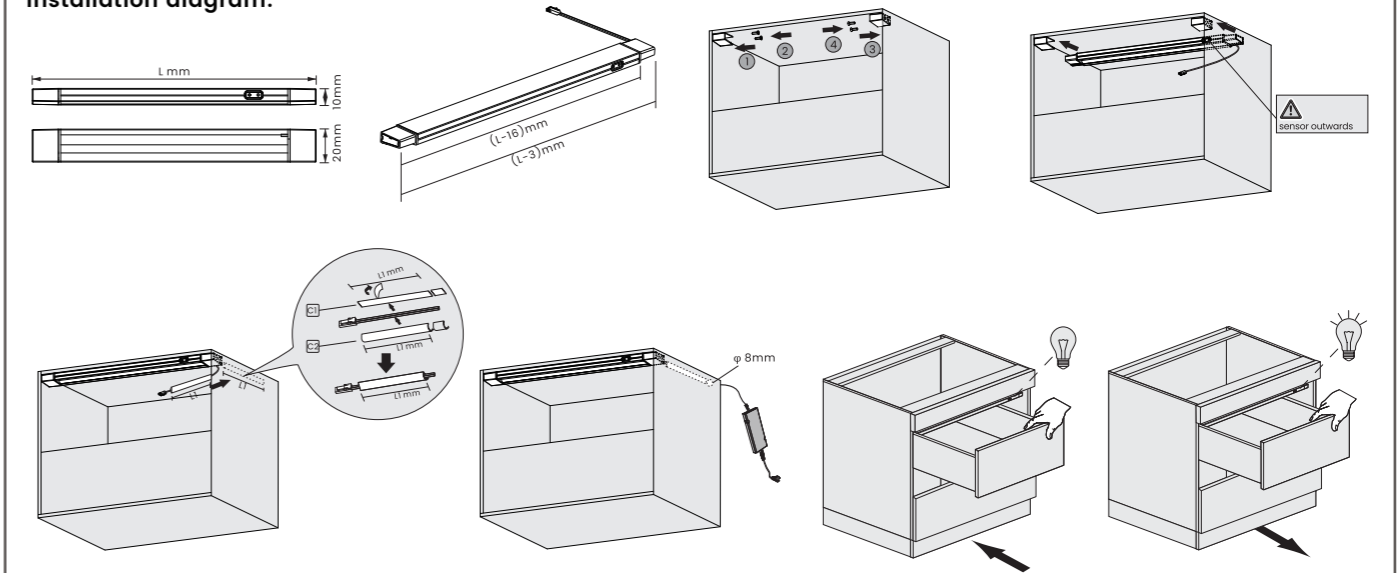


Length	Beam angle	Colour temperature	Lumen flux
250 mm	120°	3000 K	304 lx
500 mm	120°	3000 K	76 lx
750 mm	120°	3000 K	34 lx
1000 mm	120°	3000 K	19 lx

PL4005

Number of LEDs	Wattage	Luminous flux	Lumen efficacy	Colour Rendering Index CRI	Colour temperature	Colour system	EEL	Customized size	Dimensions (L x W x H)	Article number	Article number
LEDs/m	W/m	lm/m	lm/W	Ra R9	K				mm	silver-grey	black
320	5	118	24	93 >50	3000	mc	AG	cut-to-size one side	1000 x 20 x 10	201.10.22.010	201.10.21.010

Installation diagram:



Beam angle:



LINEAR LIGHTS

24V

monochrome (2-pin), wardrobe linear light

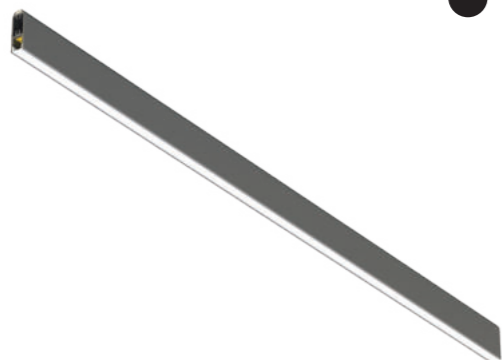


- HIGH CRI 93
- HIGHEST LUMINOUS FLUX
- CUT-TO-SIZE
- PLUG AND PLAY SYSTEM

PL4006



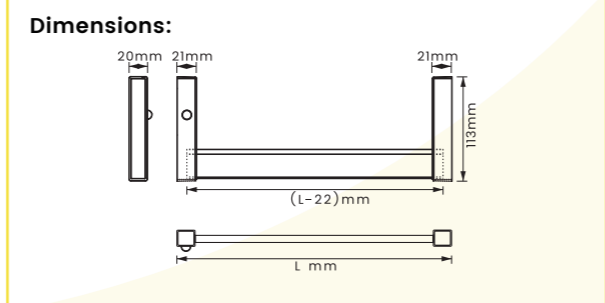
- silver-grey
- black



Material	aluminum
Surface finish	silver-grey / black
Kind of LED	COB
Dimmable	no
Degree of protection	IP20
Lifetime L80/B10	>50.000 h
Lifetime L70/B50	>80.000 h
Installation	surface mounting
Scope of delivery	1 linear light

i The wardrobe light is an illuminated clothes rail. Light is switched via motion sensor automatically when movement is detected. Max. load capacity of wardrobe light is 20kg.

i PL4006 features an **integrated switch** that turns the light on when movement is detected. To ensure that the switch can also switch the light on when the driver is switched off, the light must be **connected to an uncontrolled output port of the driver**.



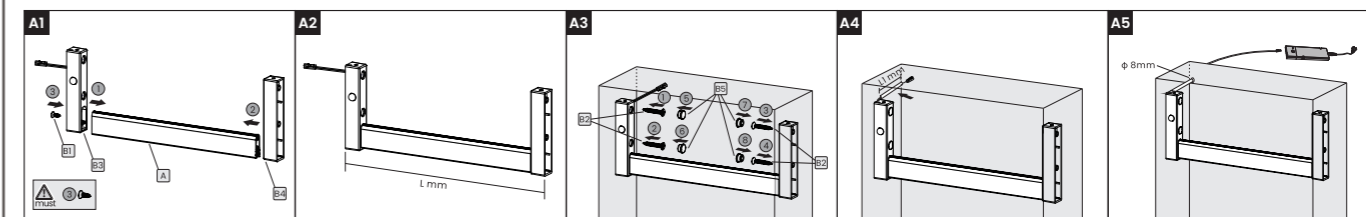
Length	Beam angle	3000K Lux
250 mm	120°	336lx
500 mm	120°	84lx
750 mm	120°	37lx
1000 mm	120°	21lx

PL4006

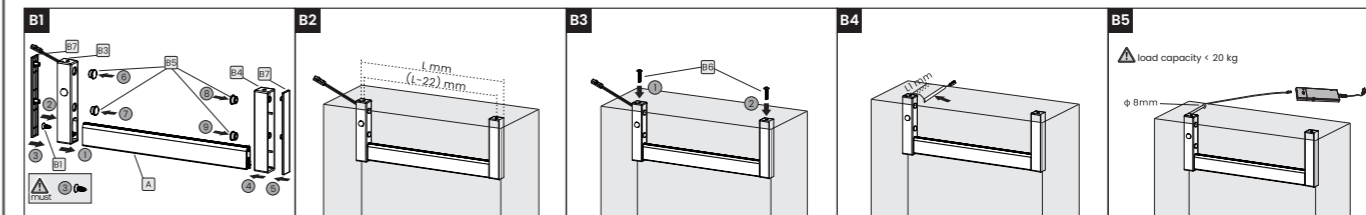
Number of LEDs	Wattage	Luminous flux	Lumen efficacy	Colour Rendering Index CRI		Colour temperature	Colour system	EEL	Customized size	Dimensions (L x W x H)	Article number	Article number
LEDs/m	W/m	lm/m	lm/W	Ra	R9	K				mm	silver-grey	black
320	5	96	19	93	>50	3000	mc	Ag G	cut-to-size freely	3000 x 21 x 113	201.10.22.011	201.10.21.011

Installation diagram:

Side installation

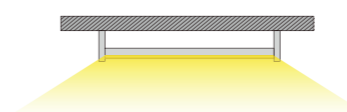


Top installation



Beam angle:

down and back



ORDER INFO: Accessories for installation need to be ordered separately.



Accessories set incl. support, connecting cable 2 m and motion sensor

- silver-grey 150.10.00.006
- black 201.99.91.006

LINEAR LIGHTS

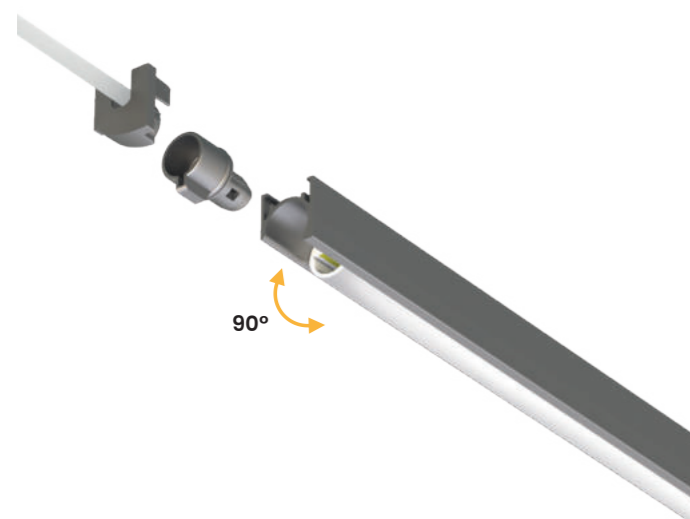
24V

monochrome (2-pin) / multiwhite (2-pin),
under cabinet

PL4007



- HIGH CRI 93
- HIGH LUMINOUS FLUX
- 90° TURNABLE LIGHT BEAM

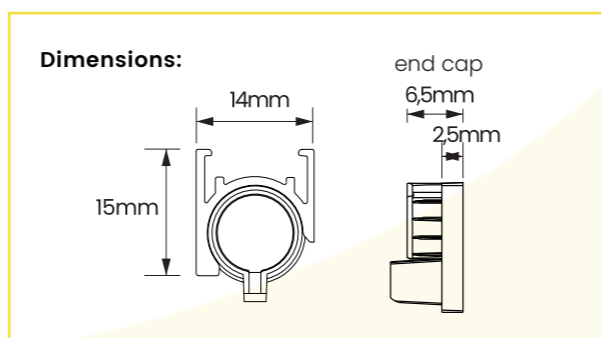


Material	aluminum
Surface finish	silver-grey
Kind of LED	COB
Dimmable	yes
Degree of protection	IP20
Lifetime L80/B10	>50.000 h
Lifetime L70/B50	>80.000 h
Installation	surface mounting + clip 3 clips / m needed
Scope of delivery	1 linear light

i The light can be **turned up to 90°** within the profile. Simply turn the pin to adjust to the desired position.

ORDER INFO: Accessories for installation need to be ordered separately, please refer to the right.

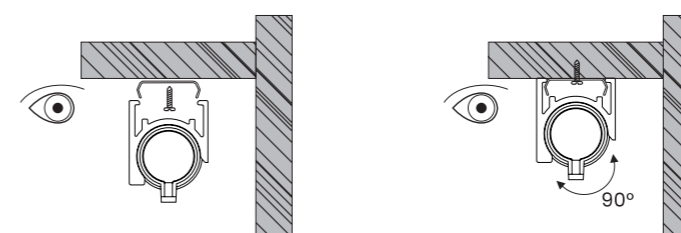
	120°	2700K	5000K	3000K	4000K
250 mm	☀	585lx	787lx	650lx	715lx
500 mm	☀	270lx	363lx	300lx	330lx
750 mm	☀	144lx	194lx	160lx	176lx
1000 mm	☀	72lx	97lx	80lx	88lx



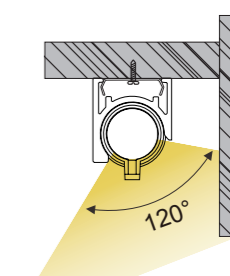
PL4007

Number of LEDs	Wattage	Luminous flux	Lumen efficacy	Colour Rendering Index CRI	Colour temperature	Colour system	Energy efficiency class	Customized size	Dimensions (L x W x H)	Article number
LEDs/m	W/m	lm/m	lm/W	Ra	R9	K	EEL		mm	
320	5	350	70	93	>50	3000	A G	cut-to-size freely	3000 x 15 x 14	201.10.22.012
	5	375	75	93	>50	4000				201.10.22.013
640	5	375	75	93	>50	2700 - 5000	A G			201.11.22.005

Installation diagram:



Beam angle:



ORDER INFO



Accessories set for surface mounting incl. connecting cable 2 m, 9 clips and 1 set end caps

201.99.22.001

LINEAR LIGHTS

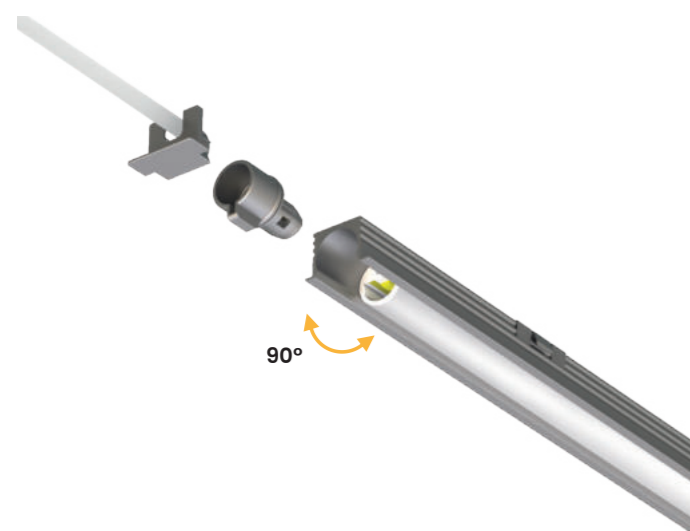
24V

monochrome (2-pin) / multiwhite (2-pin),
under cabinet



- HIGH CRI 93
- HIGH LUMINOUS FLUX
- 90° TURNABLE LIGHT BEAM

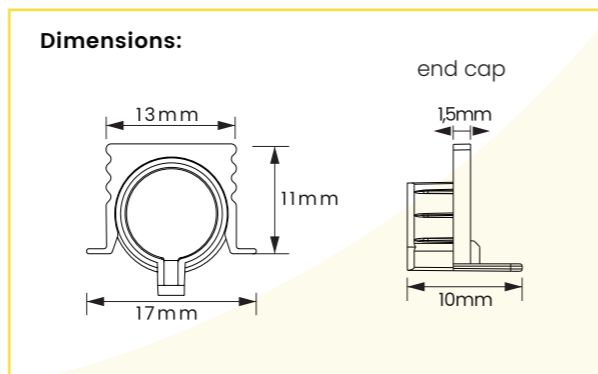
PL4008



Material	aluminum
Surface finish	silver-grey
Kind of LED	COB
Dimmable	yes
Degree of protection	IP20
Lifetime L80/B10	>50.000 h
Lifetime L70/B50	>80.000 h
Installation	recessed mounting + clip 3 clips / m needed
Scope of delivery	1 linear light

i The light can be **turned up to 90°** within the profile. Simply turn the pin to adjust to the desired position.

ORDER INFO: Accessories for installation need to be ordered separately, please refer to the right.

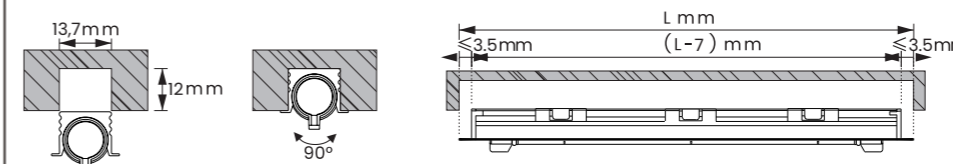


	120°	2700K	5000K	3000K	4000K
250 mm		585lx	787lx	650lx	715lx
500 mm		270lx	363lx	300lx	330lx
750 mm		144lx	194lx	160lx	176lx
1000 mm		72lx	97lx	80lx	88lx

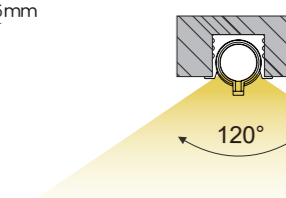
PL4008

Number of LEDs	Wattage	Luminous flux	Lumen efficacy	Colour Rendering Index CRI	Colour temperature	Colour system	Energy efficiency class	Customized size	Dimensions (L x W x H)	Drill hole (W x H)	Article number
LEDs/m	W/m	lm/m	lm/W	Ra	R9	K	EEl		mm	mm	
320	5	350	70	93	>50	3000	A G	cut-to-size freely	3000 x 17 x 11	13,7 x 12	20110.22.014
	5	375	75	93	>50	4000					20110.22.015
640	5	375	75	93	>50	2700 - 5000	A G				20111.22.006

Installation diagram:



Beam angle:



ORDER INFO



Accessories set for recessed mounting incl. connecting cable 2 m, 9 clips and 1 set end caps

20199.22.003

LINEAR LIGHTS

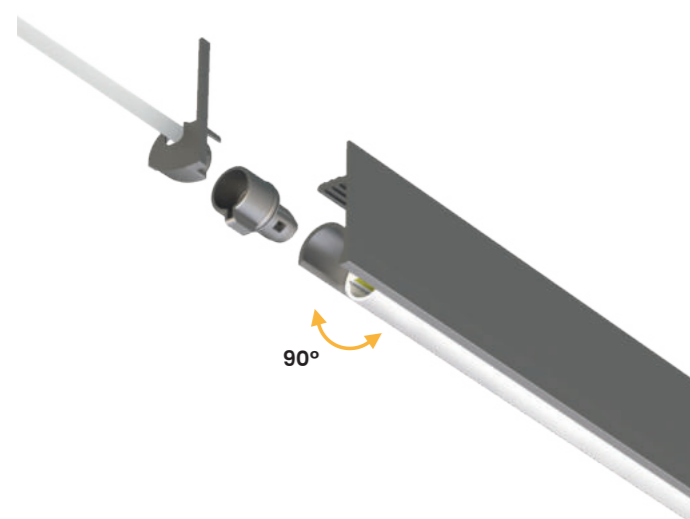
24V

monochrome (2-pin) / multiwhite (2-pin),
under cabinet



- HIGH CRI 93
- HIGH LUMINOUS FLUX
- 90° TURNABLE LIGHT BEAM

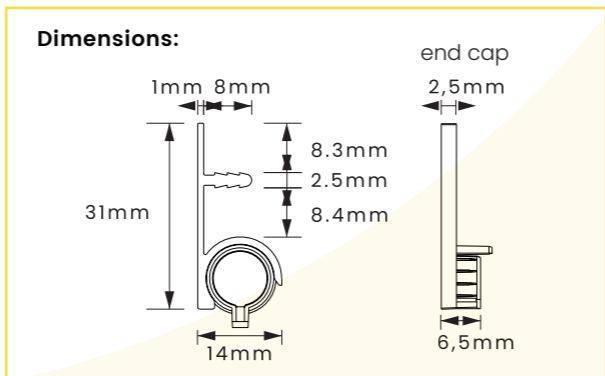
PL4009



Material	aluminum
Surface finish	silver-grey
Kind of LED	COB
Dimmable	yes
Degree of protection	IP20
Lifetime L80/B10	>50.000 h
Lifetime L70/B50	>80.000 h
Installation	recessed mounting
Scope of delivery	1 linear light

i The light can be **turned up to 90°** within the profile. Simply turn the pin to adjust to the desired position.

ORDER INFO: Accessories for installation need to be ordered separately, please refer to the right.

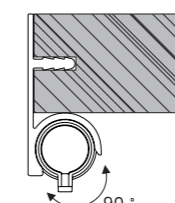
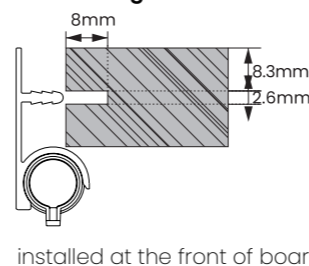


	120°	2700K	5000K	3000K	4000K
250 mm		585lx	787lx	650lx	715lx
500 mm		270lx	363lx	300lx	330lx
750 mm		144lx	194lx	160lx	176lx
1000 mm		72lx	97lx	80lx	88lx

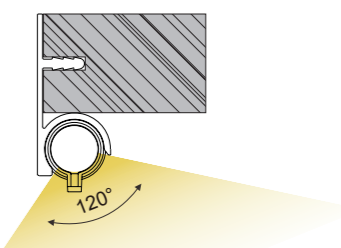
PL4009

Number of LEDs	Wattage	Luminous flux	Lumen efficacy	Colour Rendering Index CRI	Colour temperature	Colour system	Energy efficiency class	Customized size	Dimensions (L x W x H)	Drill hole (W x H)	Article number
LEDs/m	W/m	lm/m	lm/W	Ra	R9	K	EEl		mm	mm	
320	5	350	70	93	>50	3000	A G		3000 x 14 x 31	2,6 x 8	201.10.22.016
	5	375	75	93	>50	4000					201.10.22.017
640	5	375	75	93	>50	2700 - 5000	A G				201.11.22.007

Installation diagram:



Beam angle:



ORDER INFO



Accessories set for recessed mounting incl. connecting cable 2 m and 1 set end caps 201.99.22.002

LINEAR LIGHTS

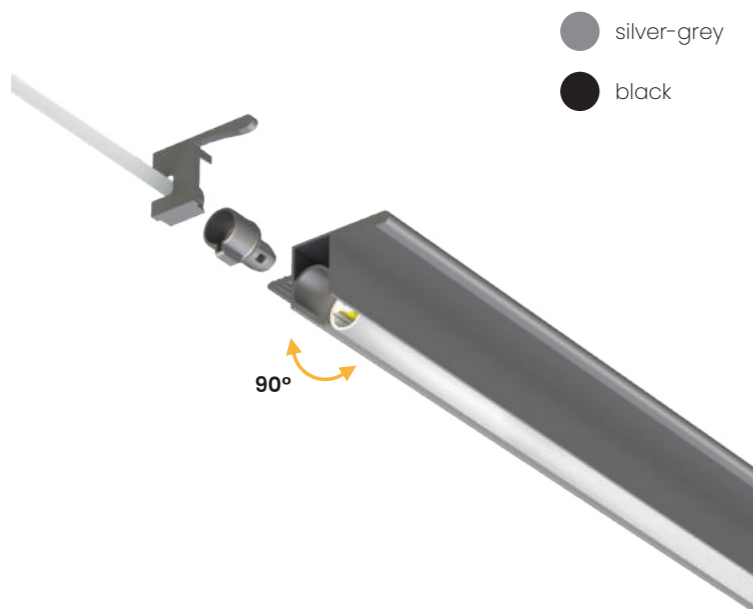
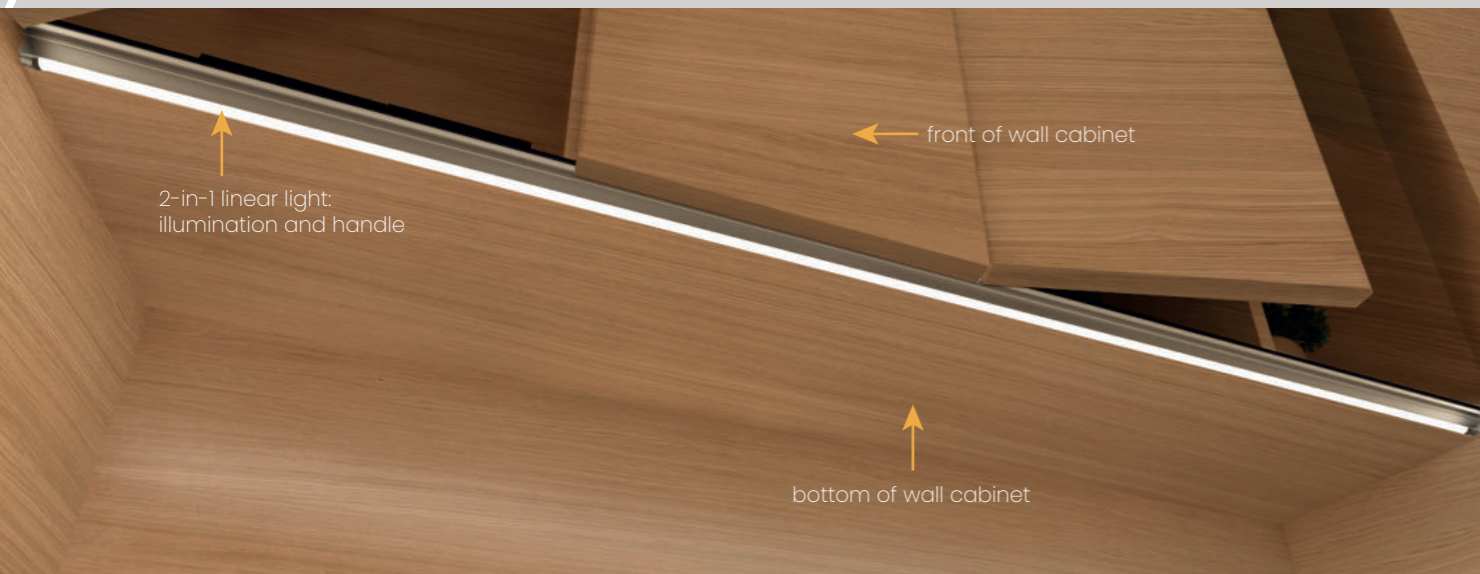
24V

monochrome (2-pin) / multiwhite (2-pin),
under cabinet



- HIGH CRI 93
- HIGH LUMINOUS FLUX
- 90° TURNABLE LIGHT BEAM

PL4010

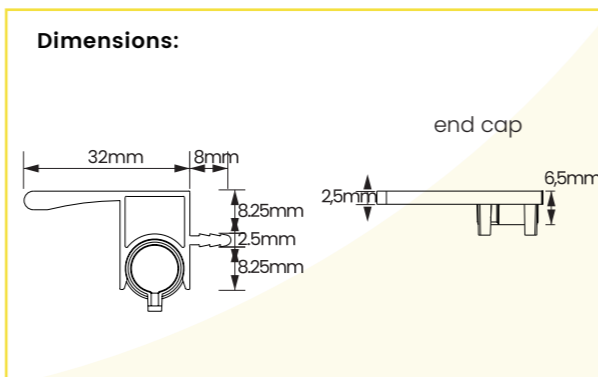


- silver-grey
- black

Material	aluminum
Surface finish	silver-grey / black
Kind of LED	COB
Dimmable	yes
Degree of protection	IP20
Lifetime L80/B10	>50.000 h
Lifetime L70/B50	>80.000 h
Installation	recessed mounting
Scope of delivery	1 linear light

i The light can be **turned up to 90°** within the profile. Simply turn the pin to adjust to the desired position.

ORDER INFO: Accessories for installation need to be ordered separately, please refer to the right.

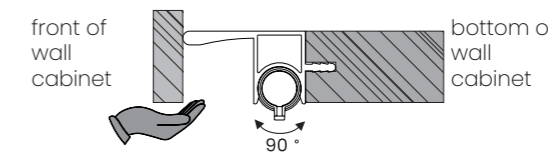
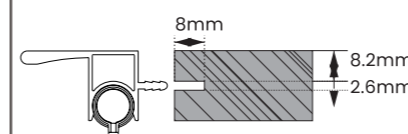


	120°	2700K	5000K	3000K	4000K
250 mm	☀	585lx	787lx	650lx	715lx
500 mm	☀	270lx	363lx	300lx	330lx
750 mm	☀	144lx	194lx	160lx	176lx
1000 mm	☀	72lx	97lx	80lx	88lx

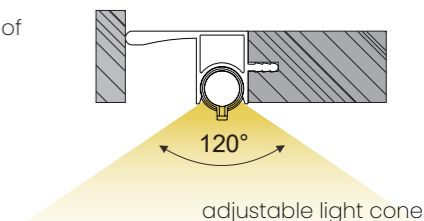
PL4010

Number of LEDs	Wattage	Luminous flux	Lumen efficacy	Colour Rendering Index CRI	Colour temperature	Colour system	EEL	Customized size	Dimensions (L x W x H)	Drill hole (W x H)	Article number	Article number
LEDs/m	W/m	lm/m	lm/W	Ra	R9	K			mm	mm	silver-grey	black
320	5	350	70	93	>50	3000	mc	cut-to-size freely	3000 x 19 x 40	2,6 x 8	201.10.22.018	201.10.21.018
	5	375	75	93	>50	4000	mc				201.10.22.019	201.10.21.019
640	5	375	75	93	>50	2700 - 5000	mw				201.11.22.008	201.11.21.008

Installation diagram:



Beam angle:



ORDER INFO



Accessories set for recessed mounting incl. connecting cable 2 m and 1 set end caps

- silver-grey 201.99.22.004
- black 201.99.21.004

ILLUMINATED GLASS SHELVES

24V

monochrome (2-pin) / multiwhite (2-pin)
for kitchen



PL4012



Material	aluminum
Surface finish	aluminum / black
Kind of LED	COB
Dimmable	yes
Degree of protection	IP20
Lifetime L80/B10	>50.000 h
Lifetime L70/B50	>80.000 h
Installation	recessed mounting
Scope of delivery	1 shelf incl. connecting cable 2 m and installation material



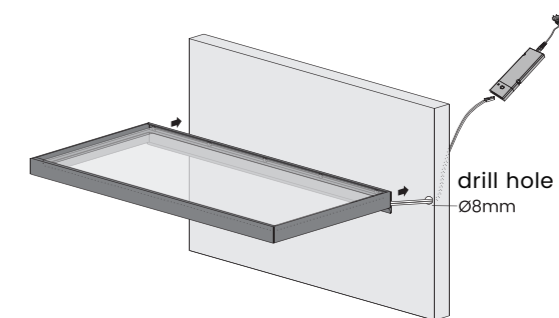
ILLUMINATED GLASS SHELVES

Number of LEDs	Wattage	Luminous flux	Lumen efficacy	Colour Rendering Index CRI	Colour temperature	Colour system	Energy efficiency class	Dimensions (L x W x H)	Article number
LEDs/m	W	lm	lm/W	Ra	R9	K	EEL	mm	
BLACK MATT									
320	3,0 (600 mm) 4,5 (900 mm)	50 (600 mm) 75 (900 mm)	16,7	90	>30	3000	A G	600 x 230 x 30,5 900 x 230 x 30,5	201.10.21.022 201.10.21.024
	3,0 (600 mm) 4,5 (900 mm)	50 (600 mm) 75 (900 mm)	16,7	90	>30	4000		600 x 230 x 30,5 900 x 230 x 30,5	201.10.21.023 201.10.21.025
640	3,0 (600 mm) 4,5 (900 mm)	50 (600 mm) 75 (900 mm)	16,7	90	>30	2700 - 5000		600 x 230 x 30,5 900 x 230 x 30,5	201.11.21.009 201.11.21.010
ALUMINUM BRUSHED									
320	3,0 (600 mm) 4,5 (900 mm)	50 (600 mm) 75 (900 mm)	16,7	90	>30	3000	A G	600 x 230 x 30,5 900 x 230 x 30,5	201.10.22.022 201.10.22.024
	3,0 (600 mm) 4,5 (900 mm)	50 (600 mm) 75 (900 mm)	16,7	90	>30	4000		600 x 230 x 30,5 900 x 230 x 30,5	201.10.22.023 201.10.22.025
640	3,0 (600 mm) 4,5 (900 mm)	50 (600 mm) 75 (900 mm)	16,7	90	>30	2700 - 5000		600 x 230 x 30,5 900 x 230 x 30,5	201.11.22.009 201.11.22.010

APPLICATION

The glass shelf with integrated LED aluminum frame provides uniform illumination of the glass surface and highlights objects with clarity. **For kitchens** – decorative, functional and ready to install.

Installation:





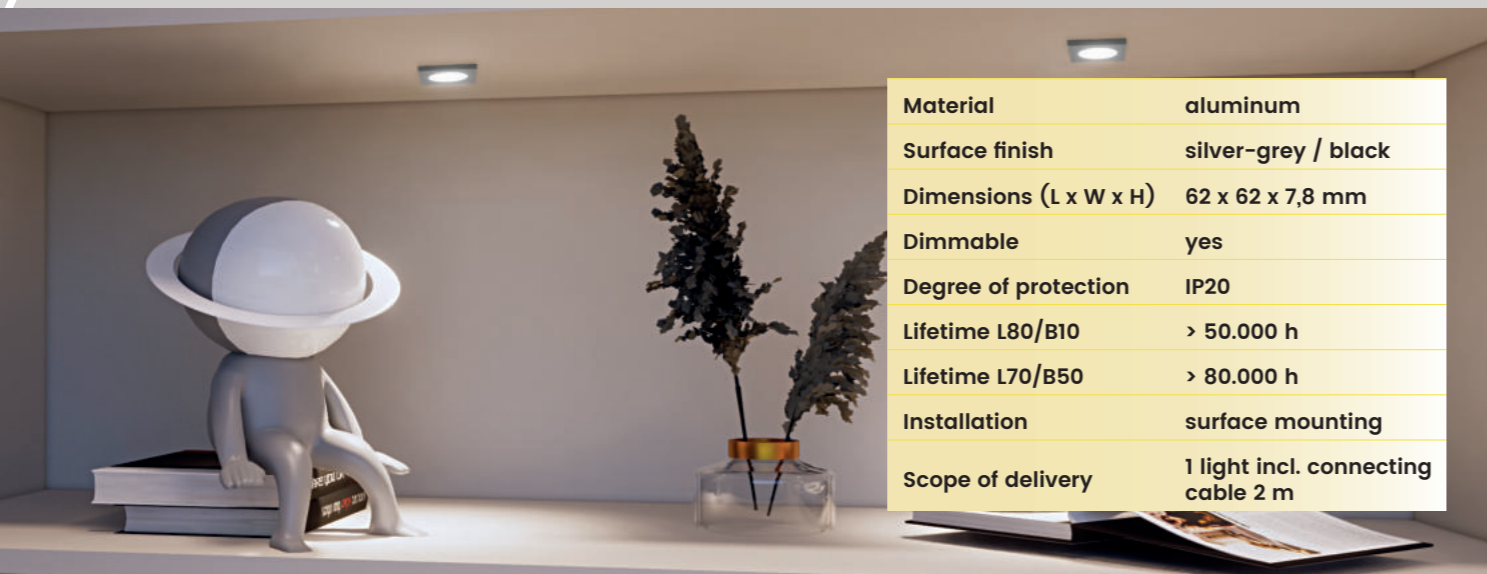
DOWN
LIGHTS

DOWNLIGHTS

24V
monochrome (2-pin), 62 x 62 mm

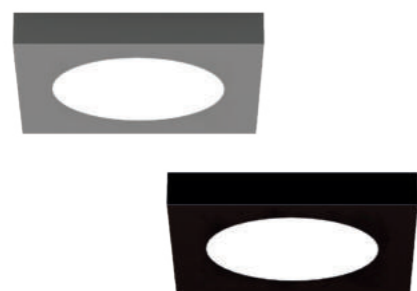


SL4001

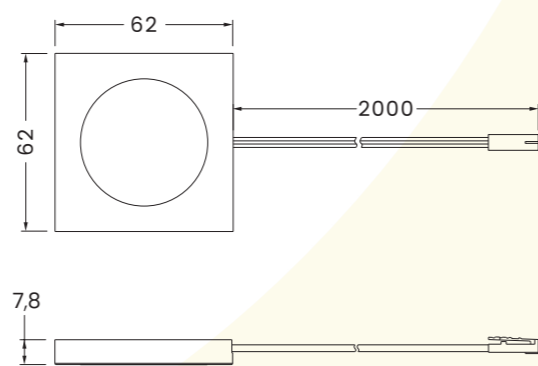


Material	aluminum
Surface finish	silver-grey / black
Dimensions (L x W x H)	62 x 62 x 7,8 mm
Dimmable	yes
Degree of protection	IP20
Lifetime L80/B10	> 50.000 h
Lifetime L70/B50	> 80.000 h
Installation	surface mounting
Scope of delivery	1 light incl. connecting cable 2 m

- HIGH CRI **93**
- HIGH LUMINOUS FLUX



Dimensions:



	120°		3000 K	4000 K
250 mm			1150 lx	1163 lx
500 mm			385 lx	430 lx
750 mm			178 lx	202 lx
1000 mm			103 lx	118 lx

Wattage	Luminous flux	Lumen efficacy	Colour Rendering Index CRI		Colour temperature	Colour system	EEL	Article number	Article number
W	lm	lm/W	Ra	R9	K			silver-grey	black
2.5	210	84	93	>50	3000	mc		202.10.22.001	202.10.21.001
2.5	235	94	93	>50	4000	mc		202.10.22.002	202.10.21.002

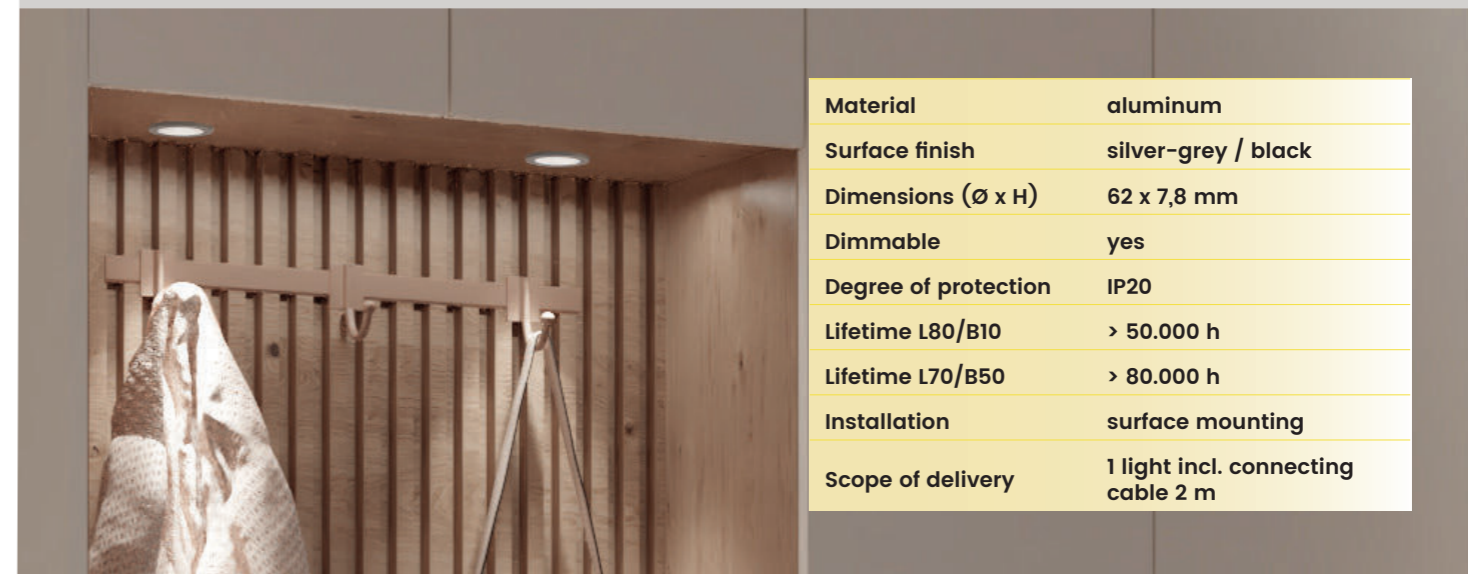


DOWNLIGHTS

24V
monochrome (2-pin), Ø 62 mm



SL4002

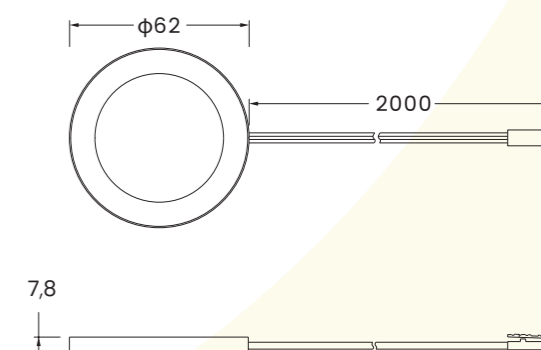


Material	aluminum
Surface finish	silver-grey / black
Dimensions (Ø x H)	62 x 7,8 mm
Dimmable	yes
Degree of protection	IP20
Lifetime L80/B10	> 50.000 h
Lifetime L70/B50	> 80.000 h
Installation	surface mounting
Scope of delivery	1 light incl. connecting cable 2 m

- HIGH CRI **93**
- HIGH LUMINOUS FLUX



Dimensions:



	120°		3000 K	4000 K
250 mm			1150 lx	1163 lx
500 mm			385 lx	430 lx
750 mm			178 lx	202 lx
1000 mm			103 lx	118 lx

Wattage	Luminous flux	Lumen efficacy	Colour Rendering Index CRI		Colour temperature	Colour system	EEL	Article number	Article number
W	lm	lm/W	Ra	R9	K			silver-grey	black
2.5	210	84	93	>50	3000	mc		202.10.22.003	202.10.21.003
2.5	235	94	93	>50	4000	mc		202.10.22.004	202.10.21.004



DOWNLIGHTS

24V
 monochrome (2-pin), 192 x 112 mm



SL4003

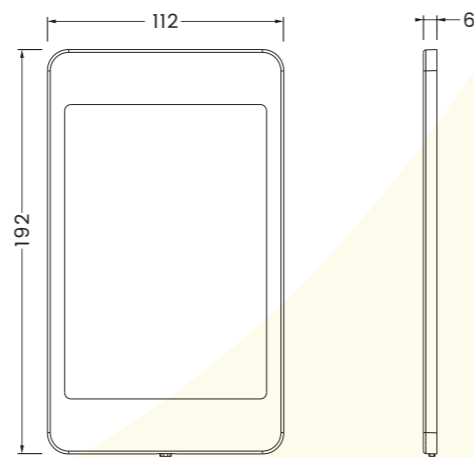


Material	aluminum
Surface finish	silver-grey
Dimensions (L x W x H)	192 x 112 x 6 mm
Dimmable	yes
Degree of protection	IP20
Lifetime L80/B10	> 50.000 h
Lifetime L70/B50	> 80.000 h
Installation	surface mounting
Scope of delivery	1 light incl. connecting cable 2 m

- HIGH CRI **93**
- HIGH LUMINOUS FLUX



Dimensions:



	120°	3000 K	4000 K
250 mm		3830 lx	4256 lx
500 mm		958 lx	1064 lx
750 mm		426 lx	473 lx
1000 mm		239 lx	266 lx

Wattage	Luminous flux	Lumen efficacy	Colour Rendering Index CRI		Colour temperature	Colour system	Energy efficiency class	Article number
W	lm	lm/W	Ra	R9	K		EEL	
5	537	107	93	>50	3000	monochrome		202.10.22.005
5	596	119	93	>50	4000	monochrome		202.10.22.006



DOWNLIGHTS

24V
 monochrome (2-pin) / multiwhite (2-pin), Ø 65 mm



SL4004

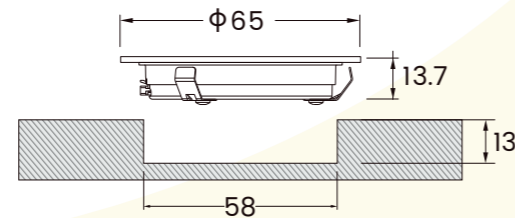


Material	aluminum + stainless steel
Surface finish	silver-grey / black
Dimensions (Ø x H)	65 x 13,7 mm
Drill hole (Ø x H)	58 x 13 mm
Dimmable	yes
Degree of protection	IP20
Lifetime L80/B10	> 50.000 h
Lifetime L70/B50	> 80.000 h
Installation	recessed or surface mounting
Scope of delivery	1 light incl. connecting cable 2 m

- HIGH CRI 93
- HIGH LUMINOUS FLUX



Dimensions:



ORDER INFO:
 Base for surface mounting needs to be ordered separately.



Base for surface mounting incl. fixings
 silver-grey: 208.99.22.008
 black: 208.99.21.008

	120°	2700K	5000K	3000K	4000K
250 mm		2016lx	2693lx	2240lx	2448lx
500 mm		504lx	673lx	560lx	612lx
750 mm		224lx	299lx	249lx	272lx
1000 mm		126lx	168lx	140lx	153lx

Wattage	Luminous flux	Lumen efficacy	Colour Rendering Index CRI		Colour temperature	Colour system	EEL	Article number	Article number
W	lm	lm/W	Ra	R9	K			silver-grey	black
2,5	299	120	93	>50	3000	mc		203.10.22.004	203.10.21.004
2,5	305	122	93	>50	4000	mc		203.10.22.005	203.10.21.005
2,5	305	122	93	>50	2700-5000	mw		203.11.22.003	203.11.21.003



DOWNLIGHTS

24V
 monochrome (2-pin) / multiwhite (2-pin), Ø 75 mm



SL4005

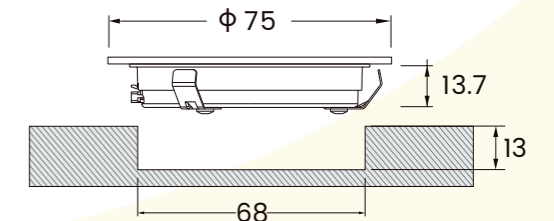


Material	aluminum + stainless steel
Surface finish	silver-grey / black
Dimensions (Ø x H)	75 x 13,7 mm
Drill hole (Ø x H)	68 x 13 mm
Dimmable	yes
Degree of protection	IP20
Lifetime L80/B10	> 50.000 h
Lifetime L70/B50	> 80.000 h
Installation	recessed or surface mounting
Scope of delivery	1 light incl. connecting cable 2 m

- HIGH CRI 93
- HIGH LUMINOUS FLUX



Dimensions:



ORDER INFO:
 Base for surface mounting needs to be ordered separately.



Base for surface mounting incl. fixings
 silver-grey: 208.99.22.004
 black: 208.99.21.004

	120°	2700K	5000K	3000K	4000K
250 mm		2419lx	3186lx	2688lx	2896lx
500 mm		605lx	796lx	672lx	724lx
750 mm		269lx	354lx	299lx	322lx
1000 mm		151lx	199lx	168lx	181lx

Wattage	Luminous flux	Lumen efficacy	Colour Rendering Index CRI		Colour temperature	Colour system	EEL	Article number	Article number
W	lm	lm/W	Ra	R9	K			silver-grey	black
3	316	105	93	>50	3000	mc		203.10.22.006	203.10.21.006
3	366	122	93	>50	4000	mc		203.10.22.007	203.10.21.007
3	366	122	93	>50	2700-5000	mw		203.11.22.004	203.11.21.004



DOWNLIGHTS

24V
monochrome (2-pin), Ø 41 mm



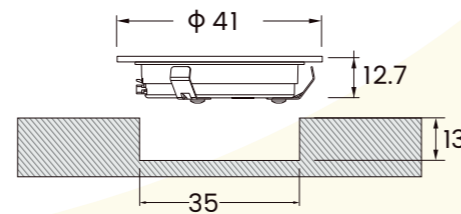
SL4006



Material	aluminum + stainless steel
Surface finish	silver-grey / black
Dimensions (Ø x H)	41 x 12,7 mm
Drill hole (Ø x H)	35 x 13 mm
Dimmable	yes
Degree of protection	IP20
Lifetime L80/B10	>50.000 h
Lifetime L70/B50	>80.000 h
Installation	recessed or surface mounting
Scope of delivery	1 light incl. connecting cable 2 m

- HIGH CRI **93**
- HIGH LUMINOUS FLUX

Dimensions:



ORDER INFO:
Base for surface mounting needs to be ordered separately.



Base for surface mounting incl. fixings
silver-grey: 208.99.22.005
black: 208.99.21.005

	50°	3000 K	4000 K
250 mm		2848lx	3201lx
500 mm		712lx	800lx
750 mm		316lx	356lx
1000 mm		178lx	200lx

Wattage	Luminous flux	Lumen efficacy	Colour Rendering Index CRI		Colour temperature	Colour system	EEL	Article number	Article number
W	lm	lm/W	Ra	R9	K			silver-grey	black
1	117	117	93	>50	3000	monochrome		203.10.22.008	203.10.21.008
1	125	125	93	>50	4000	monochrome		203.10.22.009	203.10.21.009

DOWNLIGHTS

24V
monochrome (2-pin), Ø 75 mm



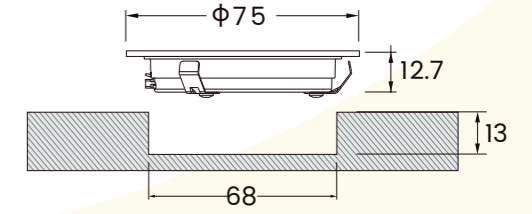
SL4007



Material	aluminum + stainless steel
Surface finish	silver-grey / black
Dimensions (Ø x H)	75 x 12,7 mm
Drill hole (Ø x H)	68 x 13 mm
Dimmable	yes
Degree of protection	IP20
Lifetime L80/B10	>50.000 h
Lifetime L70/B50	>80.000 h
Installation	recessed or surface mounting
Scope of delivery	1 light incl. connecting cable 2 m

- HIGH CRI **93**
- HIGH LUMINOUS FLUX

Dimensions:



ORDER INFO:
Base for surface mounting needs to be ordered separately.



Base for surface mounting incl. fixings
silver-grey: 208.99.22.004
black: 208.99.21.004

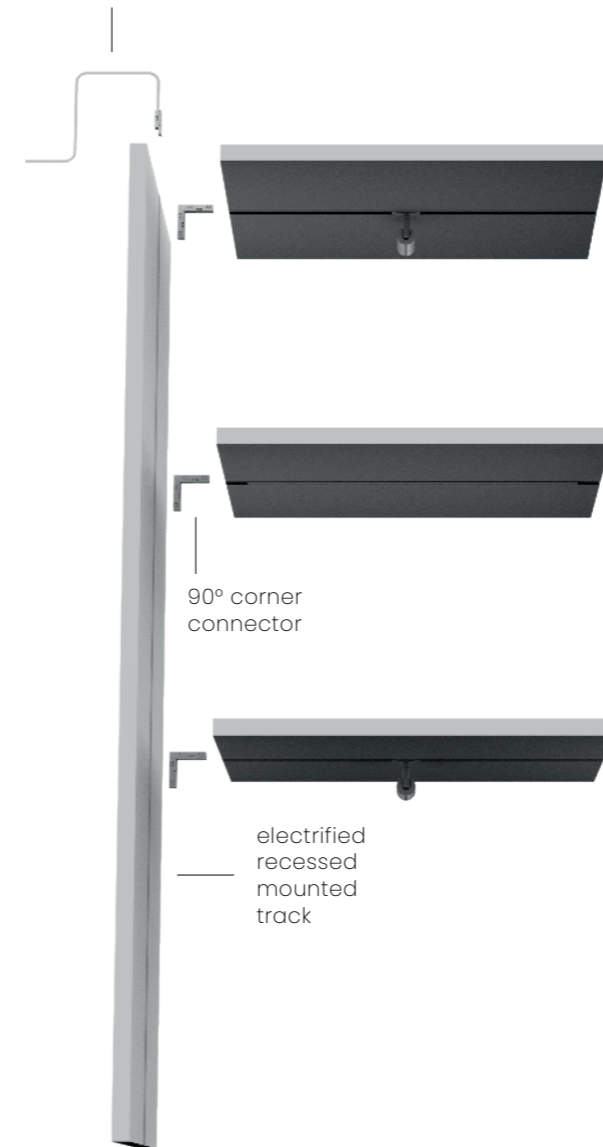
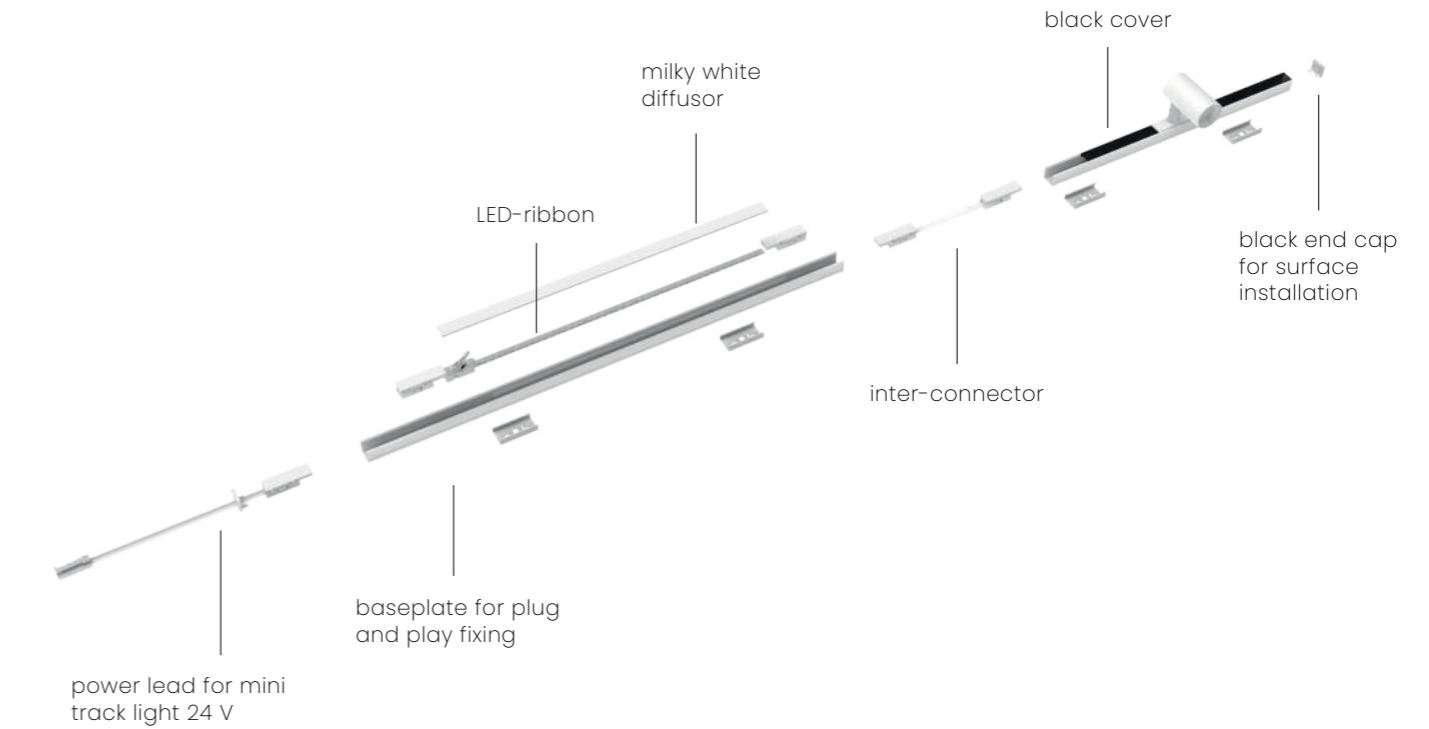
	50°	3000 K	4000 K
250 mm		9200lx	10120lx
500 mm		2300lx	2530lx
750 mm		1022lx	1124lx
1000 mm		575lx	633lx

Wattage	Luminous flux	Lumen efficacy	Colour Rendering Index CRI		Colour temperature	Colour system	EEL	Article number	Article number
W	lm	lm/W	Ra	R9	K			silver-grey	black
3	351	117	93	>50	3000	monochrome		203.10.22.010	203.10.21.010
3	386	129	93	>50	4000	monochrome		203.10.22.011	203.10.21.011

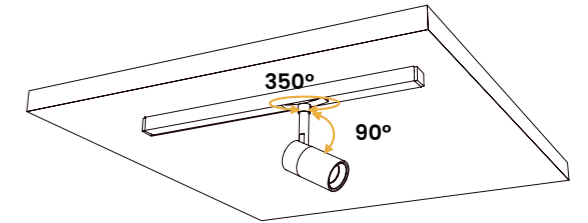
Highlight painting & pictures,
objects in furniture and
inside rooms



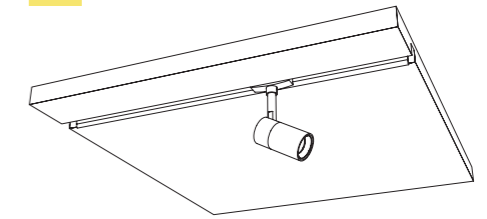
MINI TRACK LIGHTS



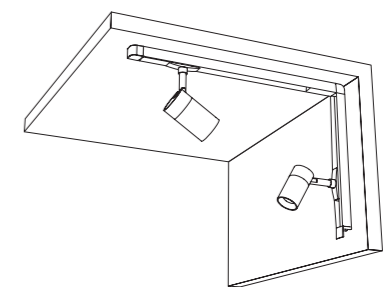
A1 surface mounted installation



A2 recessed mounted installation



A3 90° inward facing corner installation



MINI TRACK LIGHTS

24V
track 15 x 10 mm / 10 x 10 mm

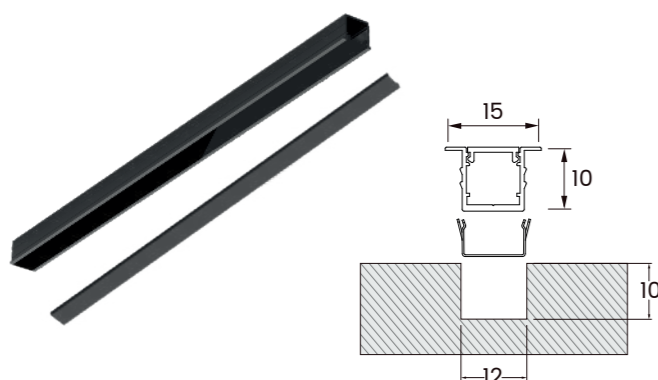


- ULTRA SLIM SYSTEM
- MODULAR SYSTEM

TL4002 / TL4003



TL4002 recessed mounted



Material	aluminum rail & plastic cover
Surface finish	rail & cover black
Dimensions (L x W x H)	TL4002: 3000 x 15 x 10 mm TL4003: 3000 x 10 x 10 mm
Drill hole (TL4002)	12 x 10 mm
Dimmable	yes (if illuminated)
Degree of protection	IP20
Scope of delivery	1 track 3 m incl. black cover
Article number	208.19.21.001 (TL4002) 208.19.21.002 (TL4003)

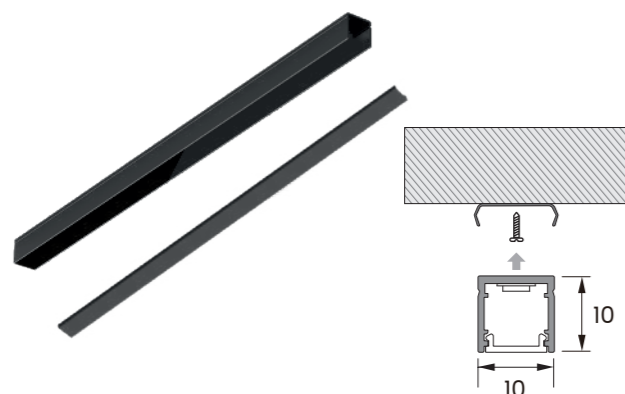
ORDER INFO: Accessories for installation need to be ordered separately, please refer to the right.

ORDER INFO: Driver (integrated or smart) must be ordered separately (ref. p. 116).

ORDER INFO: For illuminated track order LED-ribbon and milky white diffuser separately, please refer to the right.

i For illuminated SMD LED-ribbons please check LED-ribbon cutting (section) length.

TL4003 surface mounted



ORDER INFO

	1 power lead 24V, 2000 mm	204.99.21.001
	1 flexible inter-connector 24V, 20 mm for systems >3 m or inward facing corners	204.99.21.002
	5 pairs ribbon & inter-connector (both sides) for monochrome LED-ribbons 24V, 5 mm (width)	204.99.21.007
	90° corner connector 24V (5 pcs)	204.99.21.006
	1 pair end caps for recessed mounted track + 9 installation clips	204.99.21.004
	1 pair end caps for surface mounted track + 9 installation clips	204.99.21.005
LS4000 	SMD LED 24V, 5 mm, 3000K, 5 W/m, 950 lm/m (ref. p. 023) SMD LED 24V, 5 mm, 4000K, 5 W/m, 975 lm/m (ref. p. 023)	200.10.00.002 200.10.00.003
LS4001 	SMD LED 24V, 5 mm, 3000K, 10 W/m, 1900 lm/m (ref. p. 023) SMD LED 24V, 5 mm, 4000K, 10 W/m, 1950 lm/m (ref. p. 023)	200.10.00.006 200.10.00.007
	Milky white diffuser 1000 x 8 x 3 mm, transmittance 80% (5 pcs) for illuminated track	204.99.00.001
TL4001 	Spot 24V, 1 W, 160 lm, MC 3000K (ref. p. 087) Spot 24V, 1 W, 160 lm, MC 4000K (ref. p. 087)	204.10.21.001 204.10.21.002
TL4005 	Spot 24V, 2,5 W, 450 lm, MC 3000K (ref. p. 087) Spot 24V, 2,5 W, 450 lm, MC 4000K (ref. p. 087)	204.10.21.003 204.10.21.004

MINI TRACK LIGHTS

24V
spot, monochrome (2-pin),
Ø 18 x 45 x 47 mm

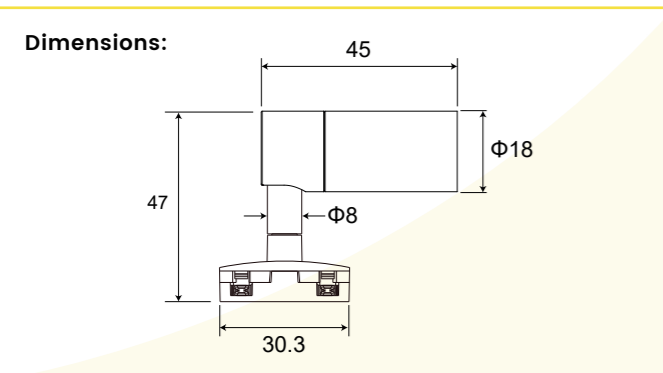


- HIGH CRI **93**
- **TURNABLE** HEAD
- BEAM ANGLE **25°**

TL4001 / TL4005



Material	aluminum
Surface finish	black
Dimensions	Ø 18 x 45 x 47 mm
Dimmable	yes
Degree of protection	IP20
Lifetime L80/B10	> 50.000 h
Lifetime L70/B50	> 80.000 h
Installation	clip-in
Scope of delivery	1 spot



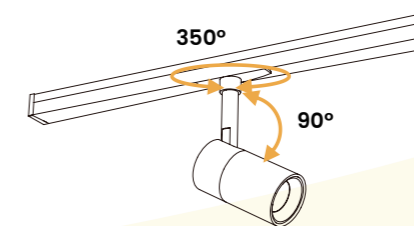
- i** Calculate the total wattage requirement of the system and select a suitable driver.
- i** Plug and play inside mini track light by clip-in installation of spots.
- i** Accentuated lighting thanks to narrow beam angle of 25°. Particularly suitable for highlighting individual objects.

TL4001 / TL4005

Wattage	Luminous flux	Lumen efficacy	Colour Rendering Index CRI		Colour temperature	Colour system	Energy efficiency class	Article number
W	lm	lm/W	Ra	R9	K		EEL	
TL4001								
1	135	135	93	>50	3000 4000	monochrome		204.10.21.001 204.10.21.002
TL4005								
2,5	390	130	93	>50	3000 4000	monochrome		204.10.21.003 204.10.21.004

	25°	TL4001		25°	TL4005	
		3000 K	4000 K		3000 K	4000 K
250 mm		3344 lx	3040 lx		13024 lx	7200 lx
500 mm		836 lx	760 lx		3256 lx	1800 lx
750 mm		372 lx	338 lx		1447 lx	800 lx
1000 mm		203 lx	190 lx		814 lx	450 lx

Adjustable light beam:



head 350° rotatable / 90° inclinable



SHOWCASE LIGHTS

SHOWCASE LIGHTS

24V
mini spot light, monochrome (2-pin), Ø 18 mm



- HIGH CRI **93**
- HIGH LUMINOUS FLUX
- BEAM ANGLE **25°**

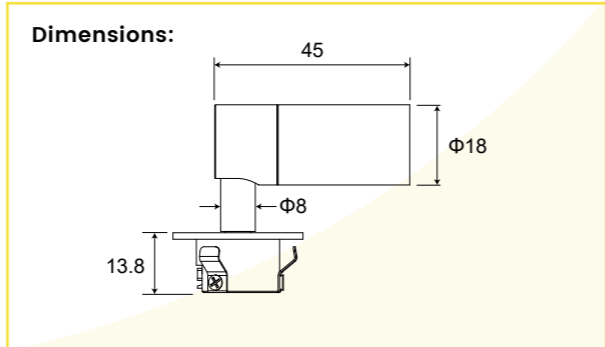
SC4000



head 350° rotatable / 90° inclinable

Material	aluminum
Surface finish	black
Dimensions	Ø 18 x 45 x 43.2 mm
Drill hole	Ø 25 x 13 mm
Dimmable	yes
Degree of protection	IP20
Lifetime L80/B10	> 50.000 h
Lifetime L70/B50	> 80.000 h
Installation	recessed mounting
Scope of delivery	1 light incl. connecting cable 2 m

i Accentuated lighting thanks to narrow beam angle of 25°. Particularly suitable for highlighting individual objects.

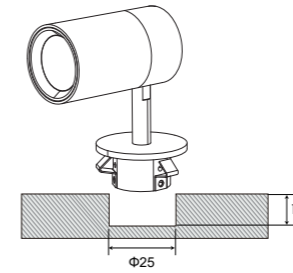


	25°	3000 K	4000 K
250 mm		8256 lx	8464 lx
500 mm		2064 lx	2116 lx
750 mm		917 lx	940 lx
1000 mm		516 lx	529 lx

SC4000

Wattage	Luminous flux	Lumen efficacy	Colour Rendering Index CRI		Colour temperature	Colour system	Energy efficiency class	Article number
W	lm	lm/W	Ra	R9	K		EEL	
2,5	390	130	93	>50	3000	monochrome		205.10.21.001
					4000			205.10.21.002

Installation diagram:



SHOWCASE LIGHTS

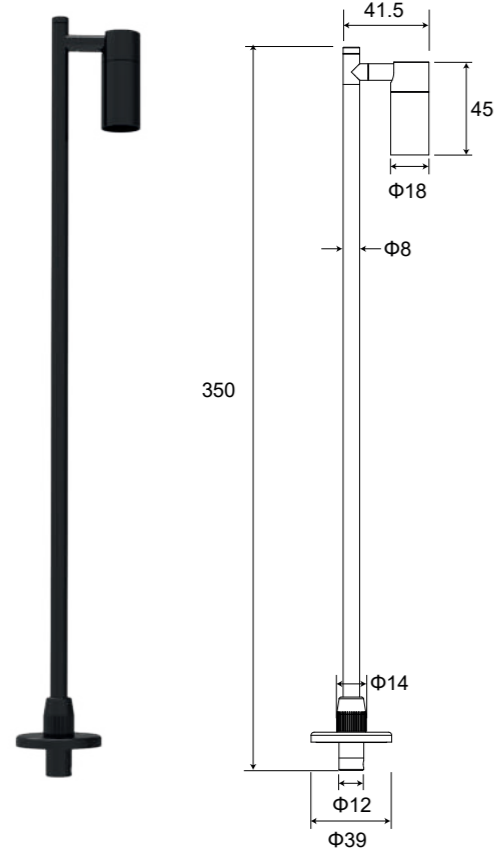
24V

pole light, monochrome (2-pin), Ø 18 x 45 x 350 mm



- HIGH CRI **93**
- HIGH LUMINOUS FLUX
- BEAM ANGLE **25°**

SC4001



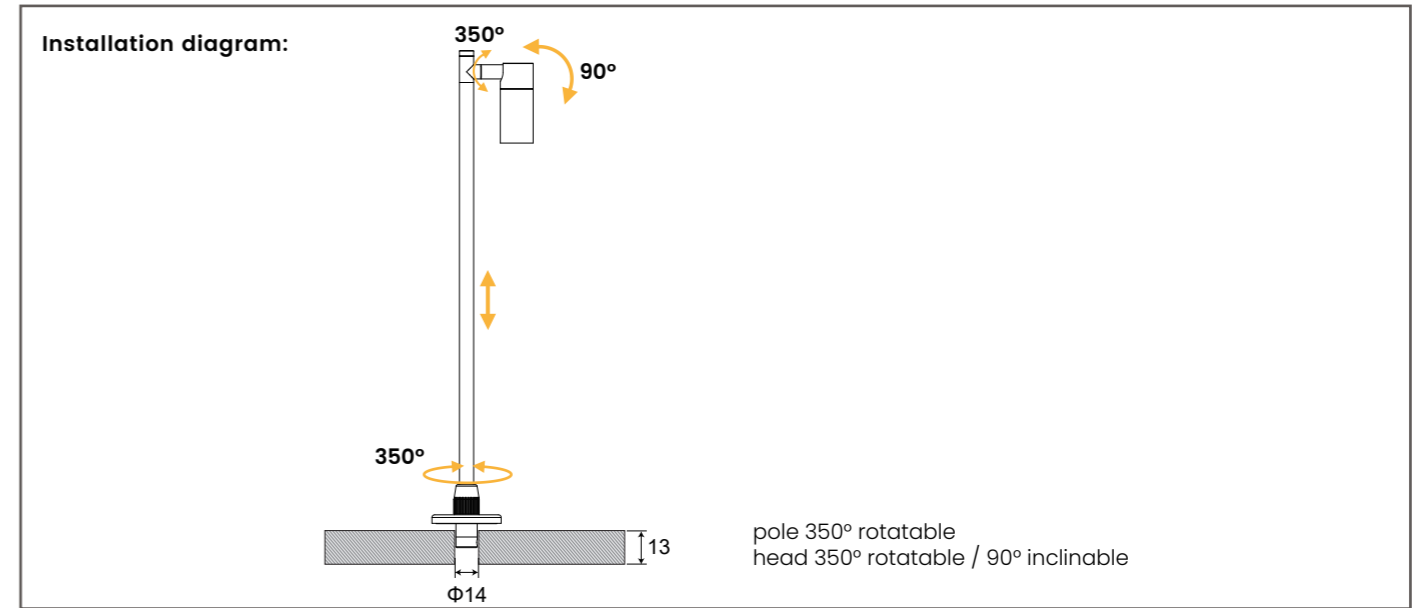
Material	aluminum
Surface finish	black
Dimensions	Ø 18 x 45 x 350 mm
Drill hole	Ø 14 mm
Dimmable	yes
Degree of protection	IP20
Lifetime L80/B10	> 50.000 h
Lifetime L70/B50	> 80.000 h
Installation	recessed mounting
Scope of delivery	1 light incl. connecting cable 2 m

i Accentuated lighting thanks to narrow beam angle of 25°. Particularly suitable for highlighting individual objects.

	3000 K	4000 K
250 mm	9099 lx	8272 lx
500 mm	2275 lx	2068 lx
750 mm	1011 lx	919 lx
1000 mm	569 lx	517 lx

SC4001

Wattage	Luminous flux	Lumen efficacy	Colour Rendering Index CRI		Colour temperature	Colour system	Energy efficiency class	Article number
W	lm	lm/W	Ra	R9	K		EEL	
2,5	390	130	93	>50	3000	monochrome		205.10.21.003
					4000			205.10.21.004



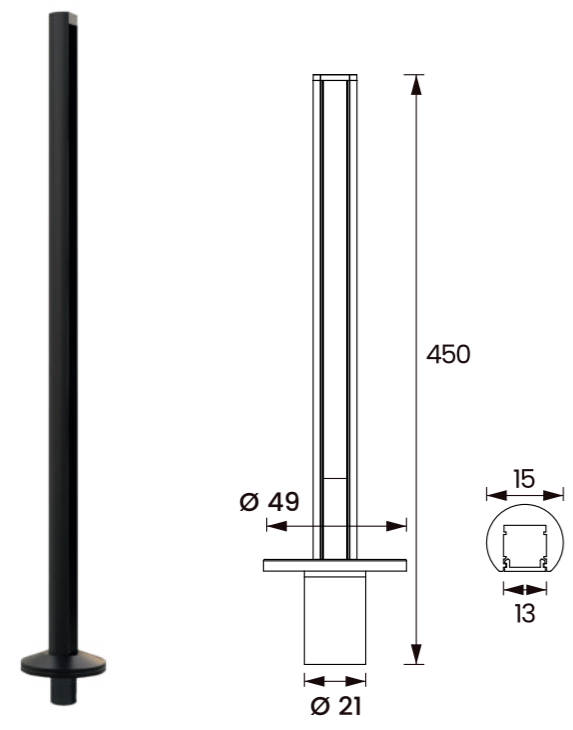
SHOWCASE LIGHTS

24V

track, vertical mounted, 15 x 13 mm

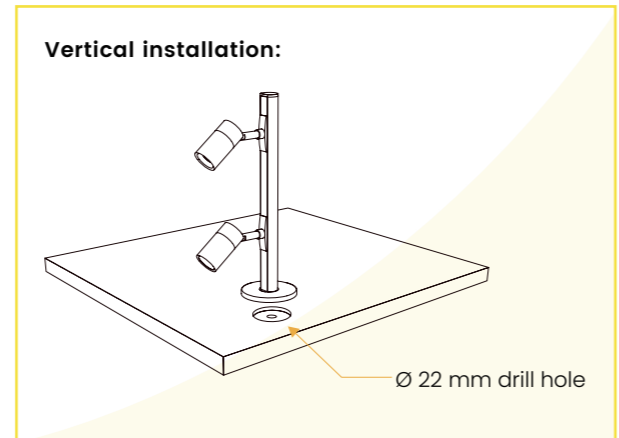
- VERTICAL INSTALLATION
- MODULAR SYSTEM

TL4004



Material	aluminum rail & plastic cover
Surface finish	black rail & cover
Dimensions (L x W x H)	450 x 15 x 13 mm
Drill hole	Ø 22 mm
Degree of protection	IP20
Installation	recessed mounted
Scope of delivery	1 track incl. black cover, connecting cable, installation base and end cap
Article number	208.19.21.003

ORDER INFO:
Spots need to be ordered separately, please refer to the right.



ORDER INFO

TL4001		Spot 24V, 1 W, 160 lm, MC 3000K (ref. p. 087) Spot 24V, 1 W, 160 lm, MC 4000K (ref. p. 087)	204.10.21.001 204.10.21.002
TL4005		Spot 24V, 2,5 W, 450 lm, MC 3000K (ref. p. 087) Spot 24V, 2,5 W, 450 lm, MC 4000K (ref. p. 087)	204.10.21.003 204.10.21.004



CEILING LIGHTS

LIVING LIGHT
MEANS
LIGHT FOR...



EVERY MOMENT.



EVERYDAY LIFE.



DESIGN & STYLE.



RELAXING.



GETTING TOGETHER.



INTUITIVE CONTROL.



PENDANT LIGHTS

ONE AURA transforms your home with design, technology and comfort. Gives your kitchen, dining room and living room a unique, individual aura.

ONE AURA



Material	aluminum
Rated voltage	24 V DC
Hanging height	max. 350 cm (can be adjusted during installation)
Dimmable	yes
Degree of protection	IP44
Network signal	matter / Thread 1.4
Lifetime L70/B50	> 48.000 h
Electrical connection	Wago connector
Scope of delivery	1 light incl. installation material

LIGHT CONTROL:

VoxAura app, VoxAura remote control, voice control via matter (Apple Home, Google Home & Amazon Alexa, ...), wall plug (only on / off)

LIGHT FUNCTIONS:

Downlight, ambient lighting, dimming, multiwhite 2700 / 3000 / 4000 / 5000 K, fading, memory function after restart.

matter:

matter-certified and therefore compatible with all matter-enabled devices, including brands such as Google Home, Apple HomeKit and Amazon Alexa that support matter. For more information please check page 144.

SIGNAL RANGE:

Remote control to pendant light: 6 m.
Pendant light in Thread mesh: 10-30 m.

Wattage	Surface finish	Luminous flux downlight	Luminous flux uplight	Colour Rendering Index CRI	Colour temperature	Colour system	Energy efficiency class	Dimensions	Article number
W		lm	lm	Ra	K		EEL	Ø x h	
GRAPHITE BLACK									
30	graphite black brushed	1214 - 1320	572 - 603	97+	2700 - 5000	multiwhite		645 x 50 mm	213.11.21.001
25	graphite black brushed	1032 - 1130	488 - 519	97+	2700 - 5000	multiwhite		425 x 50 mm	213.11.21.002
SILK WHITE									
30	silk white matt	1214 - 1320	572 - 603	97+	2700 - 5000	multiwhite		645 x 50 mm	213.11.20.001
25	silk white matt	1032 - 1130	488 - 519	97+	2700 - 5000	multiwhite		425 x 50 mm	213.11.20.002

CUSTOM SURFACE FINISHES

Further surface variants are available for individual projects. If you are interested, please contact us.



CEILING LIGHTS

Bathes your rooms in atmospheric light and creates a feel-good atmosphere. ONE ARC combines discrete elegance with modern function - perfect for hallways, bedrooms, children's rooms, guest rooms and offices.

ONE ARC



Material	aluminum
Rated voltage	24 V DC
Dimmable	yes
Degree of protection	IP20
Network signal	matter / Thread 1.4
Lifetime L70/B50	> 48.000 h
Electrical connection	Wago connector
Scope of delivery	1 light incl. installation material

LIGHT CONTROL:

VoxAura app, VoxAura remote control, voice control via matter (Apple Home, Google Home & Amazon Alexa, ...), wall plug (only on / off)

LIGHT FUNCTIONS:

Downlight, ambient lighting, dimming, multiwhite 2700 / 3000 / 4000 / 5000 K, fading, memory function after restart.

matter:

matter-certified and therefore compatible with all matter-enabled devices, including brands such as Google Home, Apple HomeKit and Amazon Alexa that support matter. For more information please check page 144..

SIGNAL RANGE:

Remote control to ceiling light: 6 m.
Ceiling light in Thread mesh: 10-30 m.

Wattage	Surface finish	Luminous flux downlight	Luminous flux uplight	Colour Rendering Index CRI	Colour temperature	Colour system	Energy efficiency class	Dimensions	Article number
W		lm	lm	Ra	K		EEI	Ø x h	

GRAPHITE BLACK

30	graphite black brushed	1535 - 1659	572 - 603	97+	2700 - 5000	multiwhite		645 x 37 mm	214.11.21.001
25	graphite black brushed	1297 - 1402	488 - 519	97+	2700 - 5000	multiwhite		425 x 37 mm	214.11.21.002

SILK WHITE

30	silk white matt	1535 - 1659	572 - 603	97+	2700 - 5000	multiwhite		645 x 37 mm	214.11.20.001
25	silk white matt	1297 - 1402	488 - 519	97+	2700 - 5000	multiwhite		425 x 37 mm	214.11.20.002

CUSTOM SURFACE FINISHES

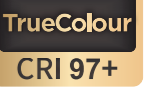
Further surface variants are available for individual projects. If you are interested, please contact us.



WALL LIGHTS

Sets stylish lighting accents and gives your walls expression. Whether in the hallway, bedroom, living room or guest room, ONE RISE complements the interior with a fine sense of atmosphere and detail.

ONE RISE



Material	aluminum
Rated voltage	24 V DC
Dimmable	yes
Degree of protection	IP20
Network signal	matter / Thread 1.4
Lifetime L70/B50	> 48.000 h
Electrical connection	Wago connector
Scope of delivery	1 light incl. installation material

LIGHT CONTROL:
VoxAura app, VoxAura remote control, voice control via matter (Apple Home, Google Home & Amazon Alexa, ...), wall plug (only on / off)

LIGHT FUNCTIONS:
Downlight, ambient lighting, dimming, multiwhite 2700 / 3000 / 4000 / 5000 K, fading, memory function after restart.

matter:
matter-certified and therefore compatible with all matter-enabled devices, including brands such as Google Home, Apple HomeKit and Amazon Alexa that support matter. For more information please check page 144.

SIGNAL RANGE:
Remote control to wall light: 6 m.
Wall light in Thread mesh: 10-30 m.

ORDER INFO:
Please order VoxAura remote control separately (see pages 118 & 119).

Wattage	Surface finish	Luminous flux downlight	Luminous flux uplight	Colour Rendering Index CRI	Colour temperature	Colour system	Energy efficiency class	Dimensions	Article number
W		lm	lm	Ra	K		EEL	Ø x h	

GRAPHITE BLACK

8	graphite black brushed	490 - 627	490 - 627	97+	2700 - 5000	multiwhite		115 x 120 mm	215.11.21.001
---	------------------------	-----------	-----------	-----	-------------	------------	--	--------------	---------------

SILK WHITE

8	silk white matt	490 - 627	490 - 627	97+	2700 - 5000	multiwhite		115 x 120 mm	215.11.20.001
---	-----------------	-----------	-----------	-----	-------------	------------	--	--------------	---------------

CUSTOM SURFACE FINISHES

Further surface variants are available for individual projects. If you are interested, please contact us.



ONE SPOT



Material	aluminum
Rated voltage	36 V DC
Drill hole	Ø 68 mm
Dimmable	yes
Degree of protection	IP20
Network signal	matter / Thread 1.4
Lifetime L70/B50	> 48.000 h
Electrical connection	Wago connector
Scope of delivery	1 light incl. driver

LIGHT CONTROL:

VoxAura app, VoxAura remote control, voice control via matter (Apple Home, Google Home & Amazon Alexa, ...), wall plug (only on / off)

LIGHT FUNCTIONS:

Downlight, ambient lighting, dimming, multiwhite 2700 / 3000 / 4000 / 5000 K, fading, memory function after restart.

matter:

matter-certified and therefore compatible with all matter-enabled devices, including brands such as Google Home, Apple HomeKit and Amazon Alexa that support matter. For more information please check page 144.

SIGNAL RANGE:

Remote control to ceiling spot: 6 m.
Ceiling spot in Thread mesh: 10-30 m.

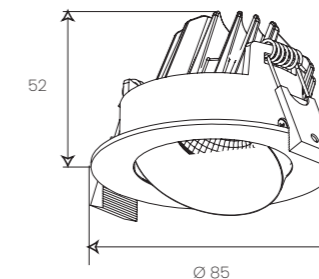
ORDER INFO:

Driver and installation material included.

Please order VoxAura remote control separately (see pages 118 & 119).

	25°	2700 K	5000 K
1000 mm		2957 lx	3479 lx
1500 mm		1314 lx	1546 lx
2000 mm		739 lx	933 lx
2500 mm		473 lx	557 lx
3000 mm		329 lx	387 lx

Wattage	Luminous flux	Colour Rendering Index CRI	Colour temperature	Colour system	Energy efficiency class	Dimensions	Article number
W	lm	Ra	K		EEL	Ø x h	
SILK WHITE							
12	903 - 1019	97	2700 - 5000	multiwhite		Ø 85 x 52 mm	211.11.20.001



CEILING SPOT

Simple in design, clear in effect: ONE SPOT provides high-quality ambient lighting in any room - flexible in use, precisely staged.



SWITCHES



SWITCHES

overview

SMART SENSOR

- battery-powered
- wireless (Bluetooth)

control by swiping in front	page 111
control by swiping on top	page 111
control by opening / closing door	page 111
control by touching	page 111
control by touching (CCT)	page 111
control by motion detection	page 111

WIRED SENSOR

control by swiping	page 113
control by opening / closing door	page 113
control by touching	page 113
control by motion detection (microwave)	page 113
control by motion detection (PIR)	page 113

WIRED STICK SENSOR

control by swiping	page 115
control by opening / closing door	page 115
control by touching	page 115
control by motion detection	page 115

MULTIPLE SWITCH UNIT

multiple switch unit	page 117
----------------------	----------

REMOTE CONTROLS: battery-powered wireless (Bluetooth)

remote controls	page 118
-----------------	----------

MEANING OF ICON



swipe to control

- soft on / off
- dimming



open / close (single) door to control

- soft on / off



open / close (dual) door to control

- soft on / off



touch to control

- soft on / off
- dimming



touch to control

- soft on / off
- dimming
- CCT (stepless tune of colour temperature)



motion detection to control (PIR)

- soft on / off



motion detection to control (microwave)

- soft on / off

CONNECTION OF WIRED SWITCHES



SMART SENSOR

3V

wireless, battery-powered



BS3000

1/control by swiping in front



- infrared sensor
- touchless
- **example for application:** Kitchen cabinet, undermount installation, swipe in front (0-9 cm) to control soft on/off and dim brightness by distance of hand to switch.

2/control by swiping on top



- infrared sensor
- touchless
- **example for application:** Kitchen, recessed in worktop, swipe on top (0-9 cm) to control soft on/off and dim brightness by distance of hand to switch.

3/control by opening / closing door



- infrared sensor
- touchless
- **switch controls two doors**
- **example for application:** Inside a cabinet, light turns on/off automatically by opening/closing the door.

4/control by touching



- **example for application:** Recessed or surface mounted on wall, touch to control soft on/off and dimming.

5/control by touching



- **example for application:** Recessed or surface mounted on wall, touch to control soft on/off, dimming and **stepless control of colour temperature.**

6/control by motion detection



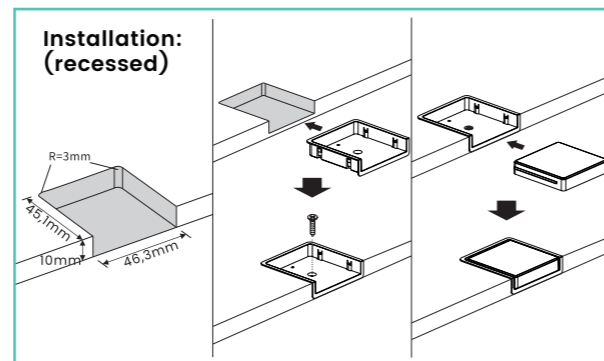
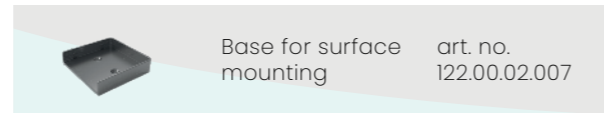
- PIR sensor
- **detection range: 0-3 m**
- **detection angle: 120°**
- **run-on time: 30 sec**
- **example for application:** Contactless switching on and off of LED lights by detecting movement up to 3 m (on furniture, in drawers, sliding doors, cupboards).

Material / colour	plastic / grey
Dimensions (L x W x H)	43 x 43 x 8,5 mm
Degree of protection	IP20
Network signal	Bluetooth
Signal range	6 m
Power consumption	0,015 W
Battery	1x CR2450, 3V DC
Battery lifetime	1-2 years
Installation	screw fixing, recessed or surface mounting
Drill hole (L x W x H)	46,3 x 45,1 x 10,0 mm
Scope of delivery	1 switch incl. base for recessed mounting and fixings

i Smart sensor switches can only be operated **in conjunction with smart drivers / control unit.** Please check on the right which control units are suitable for which switches.

SIGNAL RANGE: Direct range from switch to driver / control unit: 6 m. However, the signal is passed from device to device within the Bluetooth mesh and thereby increases the mesh signal range.

ORDER INFO: Base for surface mounting needs to be ordered separately, please see below.



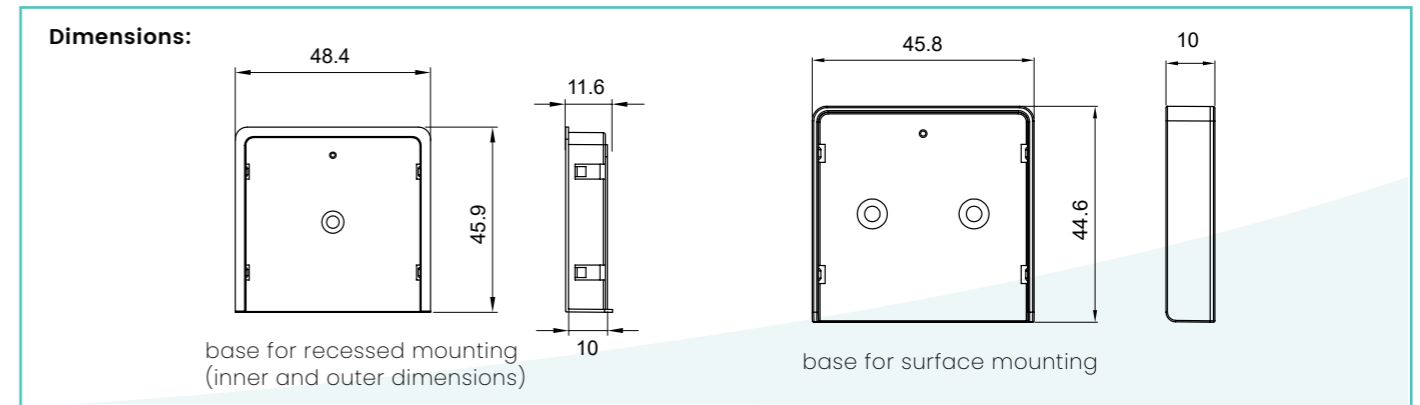
BS3000

	Control method	Switching function	Detection range mm	Memory function	Article number
1	control by swiping in front	on / off soft, dimming	0-90	yes	122.00.02.001
2	control by swiping on top	on / off soft, dimming	0-90	yes	122.00.02.003
3	control by opening / closing door	on / off soft	0-70	no	122.00.02.002
4	control by touching	on / off soft, dimming	0	yes	122.00.02.004
5	control by touching	on / off soft, dimming, CCT (stepless colour temp. control)	0	yes	122.00.02.005
6	control by motion detection	on / off soft	0-3000	30 sec run-on time	122.00.02.006

i **MEMORY FUNCTION:** When the light is switched on, it has the same setting as when it was last switched of.

ORDER INFO

	smart sensor switch	compatible control units (art. no.)	details (refer to page)
1	control by swiping in front		
2	control by swiping on top	110.20.01.001	
3	control by opening / closing door	110.10.01.001	131
4	control by touching	110.11.01.001	
6	control by motion detection		
5	control by touching (incl. colour temp.)	111.10.01.001 111.11.01.001 112.10.01.001 112.11.01.001	131



WIRED SENSOR SWITCHES

24 V
wired

WS3000

1/control by swiping



- infrared sensor
- touchless
- **example for application:** Kitchen cabinet, undermount installation, swipe in front (0-9 cm) to control soft on/off and dim brightness by distance of hand to switch.

2/control by opening / closing door



- infrared sensor
- touchless
- **switch controls two doors**
- **example for application:** Inside a cabinet, light turns on/off automatically by opening/closing the door.

3/control by touching



- **example for application:** Surface mounted on wall, touch to control soft on/off and dimming.

4/control by motion detection



- microwave sensor
- **detection range: 0-3 m**
- **run-on time: 30 sec**
- **example for application:** Install the switch concealed inside a cabinet. The light is switched on automatically when the sensor detects movement within its detection range.

5/control by motion detection

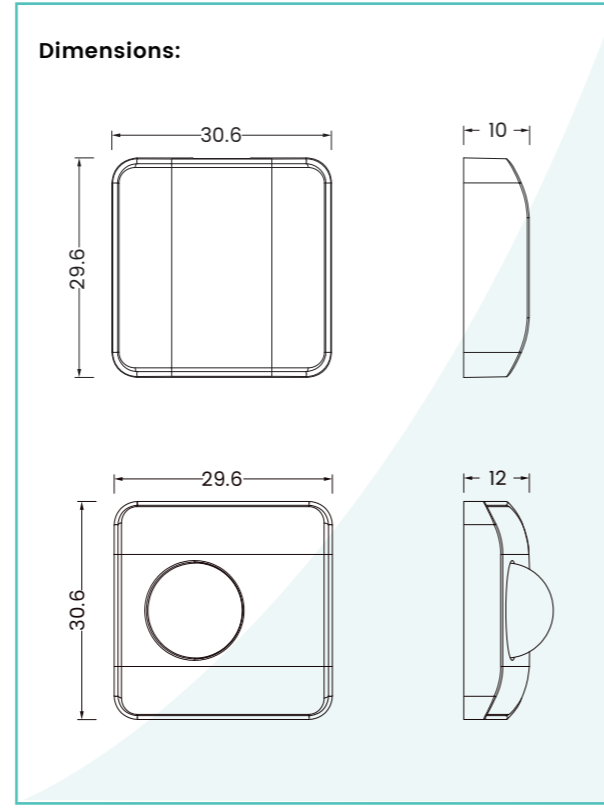


- PIR sensor
- **detection range: 0-3 m**
- **detection angle: 120°**
- **run-on time: 30 sec**
- **example for application:** Contactless switching on and off of LED lights by detecting movement up to 3 m (on furniture, in drawers, sliding doors, cupboards)

Material / colour	plastic / black
Dimensions (L x W x H)	30,6 x 29,6 x 10 mm
Cable length	2 m
Degree of protection	IP20
Power consumption	0,1 W
Installation	screw fixing, surface mounting
Scope of delivery	1 switch incl. connecting cable 2 m and mounting base

i Wired sensor switches can **only be operated with integrated drivers.** Compatible to all integrated drivers (see page 135).

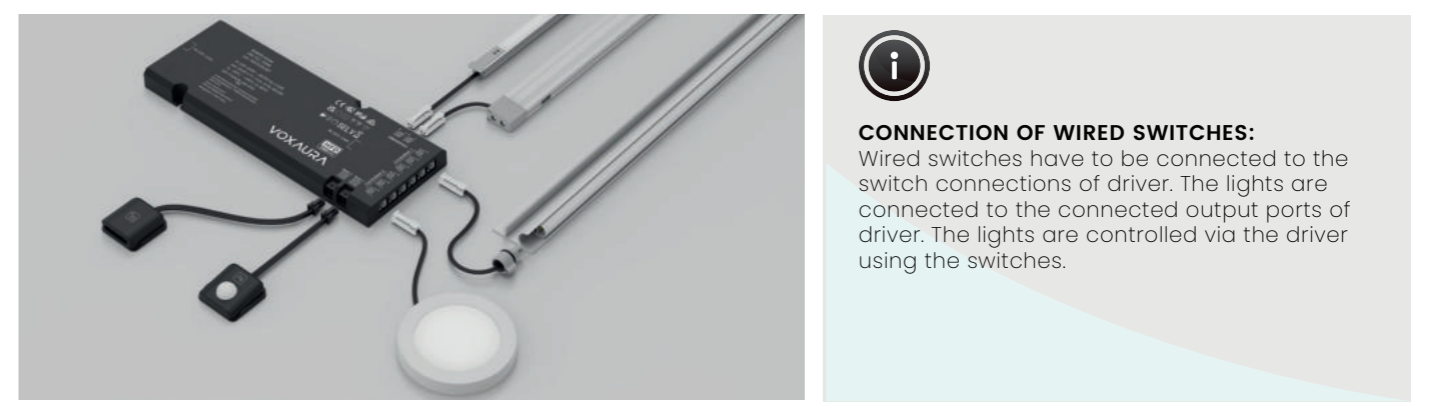
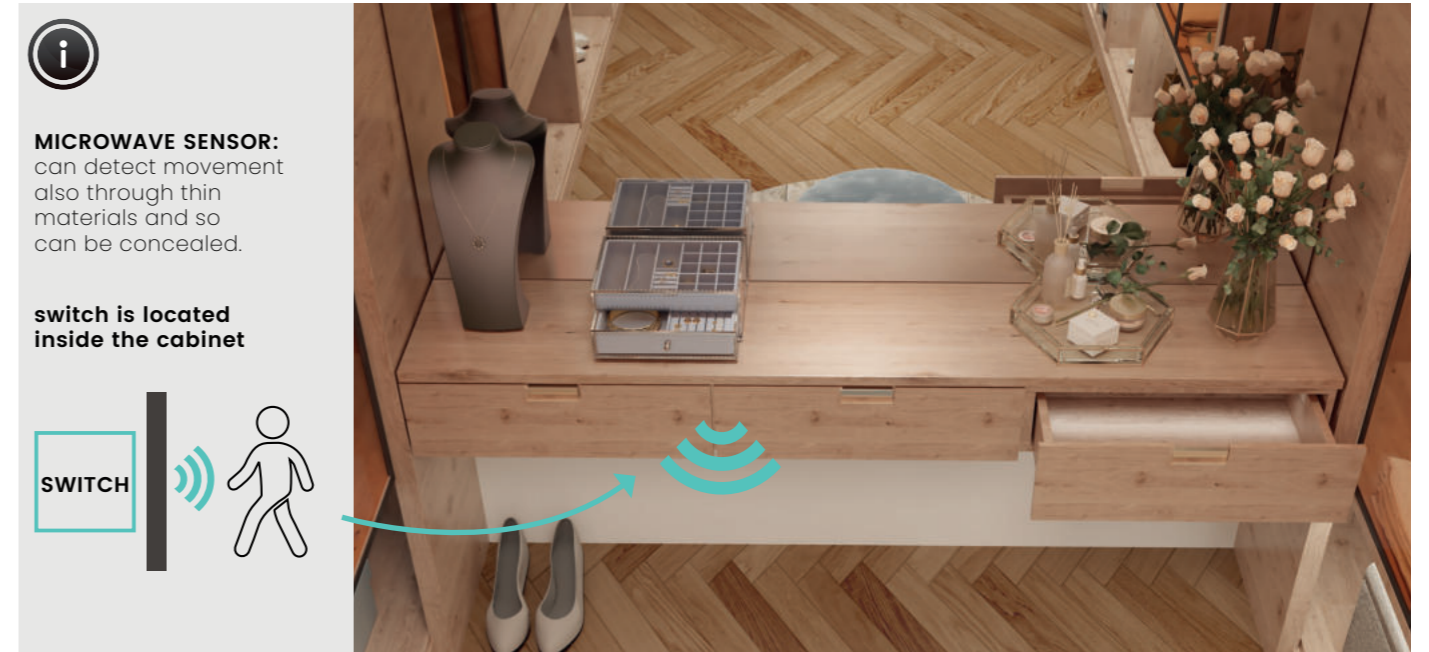
PIR / MICROWAVE SENSOR: Both PIR and microwave sensors are designed to detect the movement of warm objects (such as people) that move through the sensor's field of view. The difference is that microwave sensors can also detect movement through glass or other thin materials and can therefore be concealed.



WS3000

	Control method	Switching function	Detection range mm	Memory function	Article number
1	control by swiping	on / off soft, dimming	0-90	yes	121.00.01.003
2	control by opening / closing door	on / off soft	0-70	no	121.00.01.002
3	control by touching	on / off soft, dimming	0	yes	121.00.01.001
4	control by motion detection	on / off soft	0-3000	30 sec run-on time	121.00.01.004
5	control by motion detection	on / off soft	0-3000	30 sec run-on time	121.00.01.005

i **MEMORY FUNCTION:** When the light is switched on, it has the same setting as when it was last switched off.



STICK SENSOR SWITCHES

24V
wired

WS3001

1/control by swiping



- infrared sensor
- touchless
- **example for application:** Kitchen cabinet, undermount installation, swipe in front (0-9 cm) to control soft on/off and dim brightness by distance of hand to switch.

2/control by opening / closing door



- infrared sensor
- touchless
- **switch controls single door**
- **example for application:** Inside a cabinet, light turns on/off automatically by opening/closing the door.

3/control by touching



- **example for application:** Recessed or surface mounted, touch to control soft on/off and dimming.

4/control by motion detection

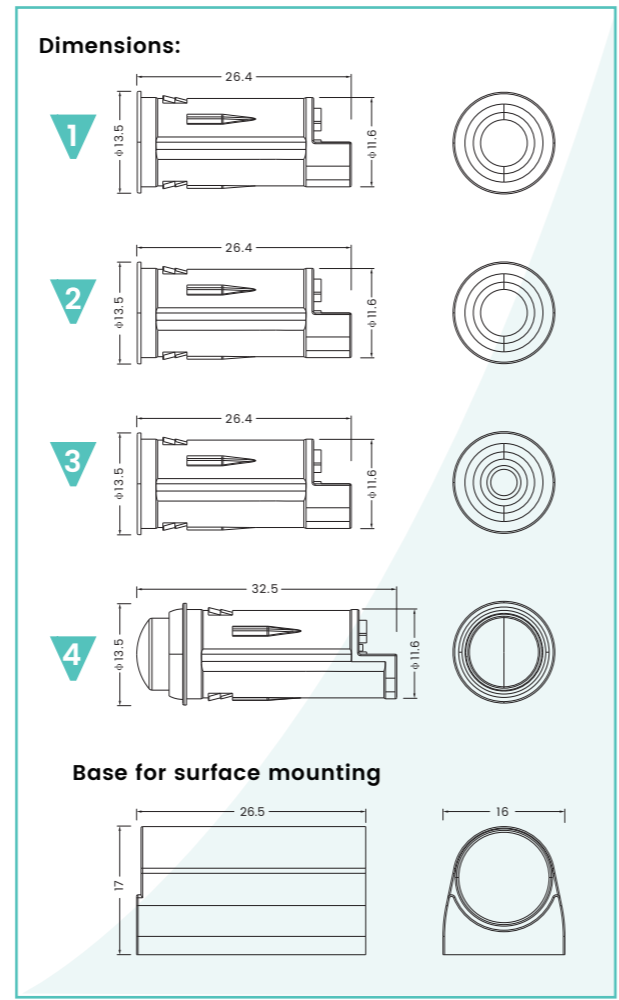


- PIR sensor
- **detection range: 0-3 m**
- **detection angle: 120°**
- **run-on time: 30 sec**
- **example for application:** Contactless switching on and off of LED lights by detecting movement up to 3 m (on furniture, in drawers, sliding doors, cupboards).

Material / colour	plastic / grey
Cable length	2 m
Degree of protection	IP20
Power consumption	0,1 W
Installation	recessed or surface mounting
Scope of delivery	1 switch incl. connecting cable 2 m

i Stick sensor switches can **only be operated with integrated drivers.** Compatible to all integrated drivers (see page 135).

▶ ORDER INFO: Base for surface mounting needs to be ordered separately, please refer to the right.

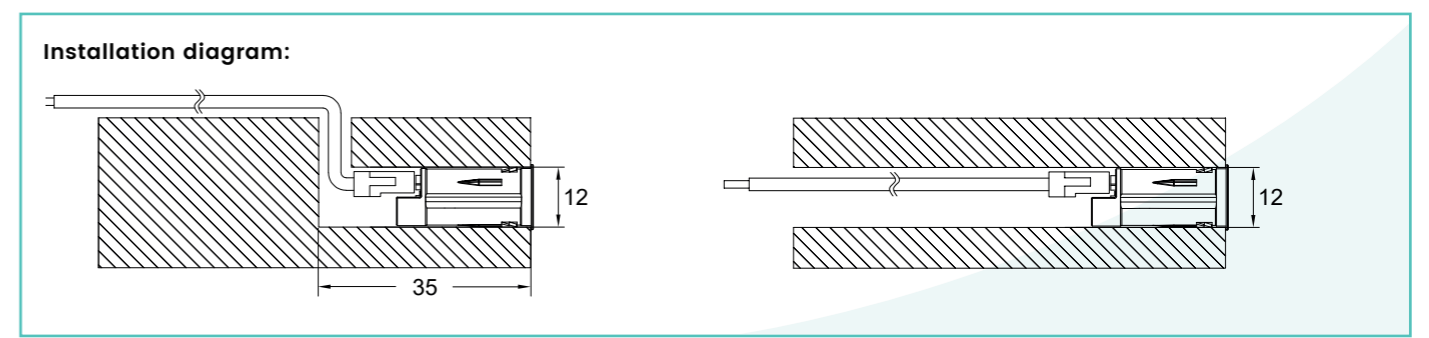
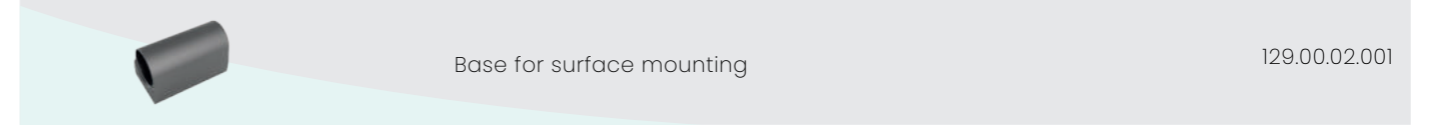


WS3001

	Control method	Switching function	Detection range	Dimensions (∅ x depth) mm	Drill hole (∅ x depth) mm	Memory function	Article number
1	control by swiping	on / off soft, dimming	0-90	13,5 x 26,4	12 x 35	yes	121.00.02.002
2	control by opening / closing door	on / off soft	0-70	13,5 x 26,4	12 x 35	no	121.00.02.003
3	control by touching	on / off soft, dimming	0	13,5 x 26,4	12 x 35	yes	121.00.02.001
4	control by motion detection	on / off soft	0-3000	13,5 x 32,5	12 x 35	30 sec run-on time	121.00.02.004

i MEMORY FUNCTION: When the light is switched on, it has the same setting as when it was last switched off.

▶ ORDER INFO:

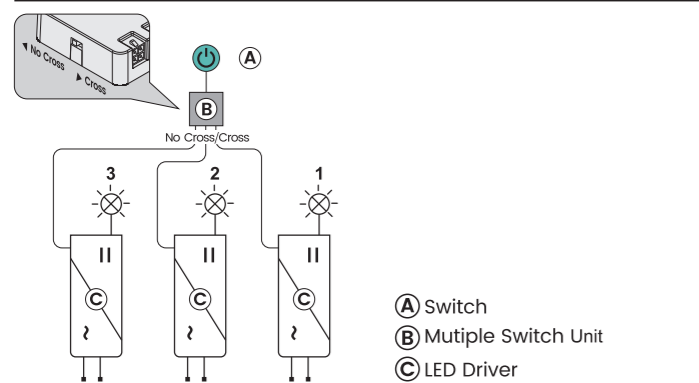
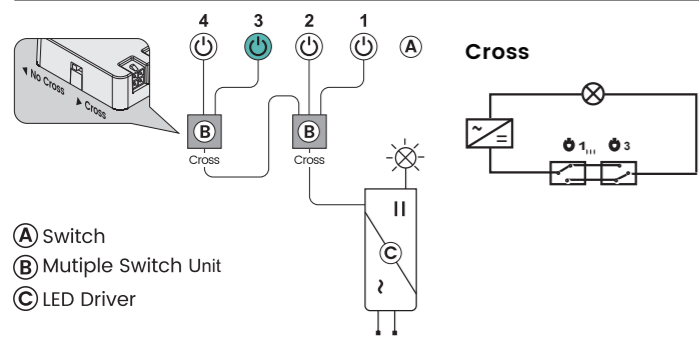
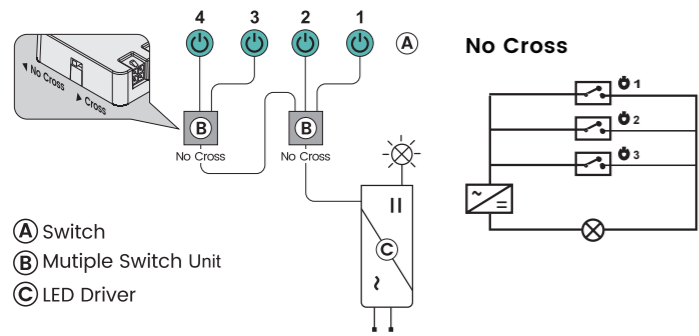


i CONNECTION OF WIRED SWITCHES: Wired switches have to be connected to the switch connections of driver. The lights are connected to the connected output ports of driver. The lights are controlled via the driver using the switches.

MULTIPLE SWITCH UNIT

⚡ 24V
wired

WS3002



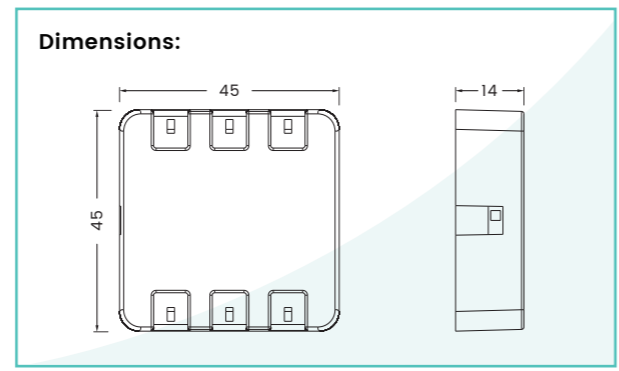
Material / colour	plastic / black
Features	3 sockets for integrated drivers, 3 sockets for wired sensor switches
Degree of protection	IP20
Power consumption	0,1 W
Cable length	1 m
Installation	surface mounting, self-adhesive
Scope of delivery	1 multiple switch unit incl. tape and 3 connecting cables

i Multiple switch unit can **only be operated in conjunction with integrated drivers** (see page 135) and wired sensor switches (see page 113 and 115).

The multiple switch unit is used **to connect up to three integrated drivers and max. three wired sensor switches** to enable mixed control of multiple LED lights. Connected integrated drivers are controlled at the same time by wired sensor switches that can be installed at different places.

Two operating modes using the integrated switch:

- **Cross:** Switching on / off at alternating switches
- **No cross:** Switching on by switch 1, 2 or 3. Switching off by pressing all switched-on switches again.



Control method	Switching function	Dimensions (L x W x H)	Article number
Multiple switch unit	depend on switches	45 x 45 x 14 mm	125.00.01.001

REMOTE CONTROL

⚡ 3V
wireless, battery-powered



BS3001



- 4 channels to control different lights:**
- soft on/off
 - dimming brightness
 - stepless tune of colour temperature (CCT)
 - adjust RGB colours

Material / colour	plastic / black
Dimensions (L x W x H)	130 x 40 x 13mm
Degree of protection	IP20
Network signal	Bluetooth
Signal range	6 m
Power consumption	0.015 W
Battery	1x CR2450, 3V DC
Battery lifetime	2 years
Scope of delivery	1 remote control

i Remote control can only be operated **in conjunction with smart drivers / control unit.** Compatible with all control units (see page 131).

SIGNAL RANGE:
Direct range from remote control to driver / control unit: 6 m. However, the signal is passed from device to device within the Bluetooth mesh and thereby increases the mesh signal range.

Control method	Switching function	Controlled colour systems	Article number
remote control	soft on/off dimming brightness stepless tune of colour temperature (CCT) adjust RGB colours	multiwhite RGB RGB-multiwhite	123.00.01.001

REMOTE CONTROL



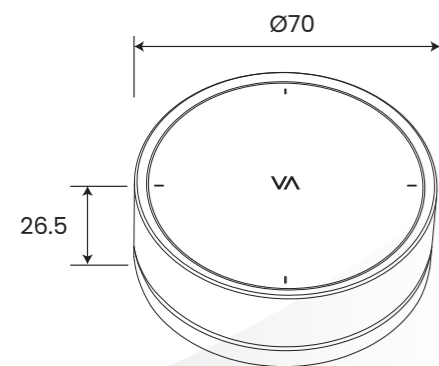
wireless, battery-powered



ONE DIAL



Dimensions:



Material	aluminum
Dimensions (Ø x h)	Ø70 x 26.5 mm
Degree of protection	IP20
Network signal	Bluetooth
Signal range	6000 mm
Battery	2x AAA 1.5V (not included)
Lifetime battery	1-2 years
Scope of delivery	1 remote control

ONE DIAL

Surface finish	Switching function	Controlled colour systems	Article number
GRAPHITE BLACK			
	soft on / off dimming CCT & RGB colours lighting scenes	monochrome multiwhite RGB RGB-multiwhite	123.00.01.002
DARK BRONZE			
	soft on / off dimming CCT & RGB colours lighting scenes	monochrome multiwhite RGB RGB-multiwhite	123.00.03.001
CHAMPAGNE			
	soft on / off dimming CCT & RGB colours lighting scenes	monochrome multiwhite RGB RGB-multiwhite	123.00.04.001

CUSTOM SURFACE FINISHES

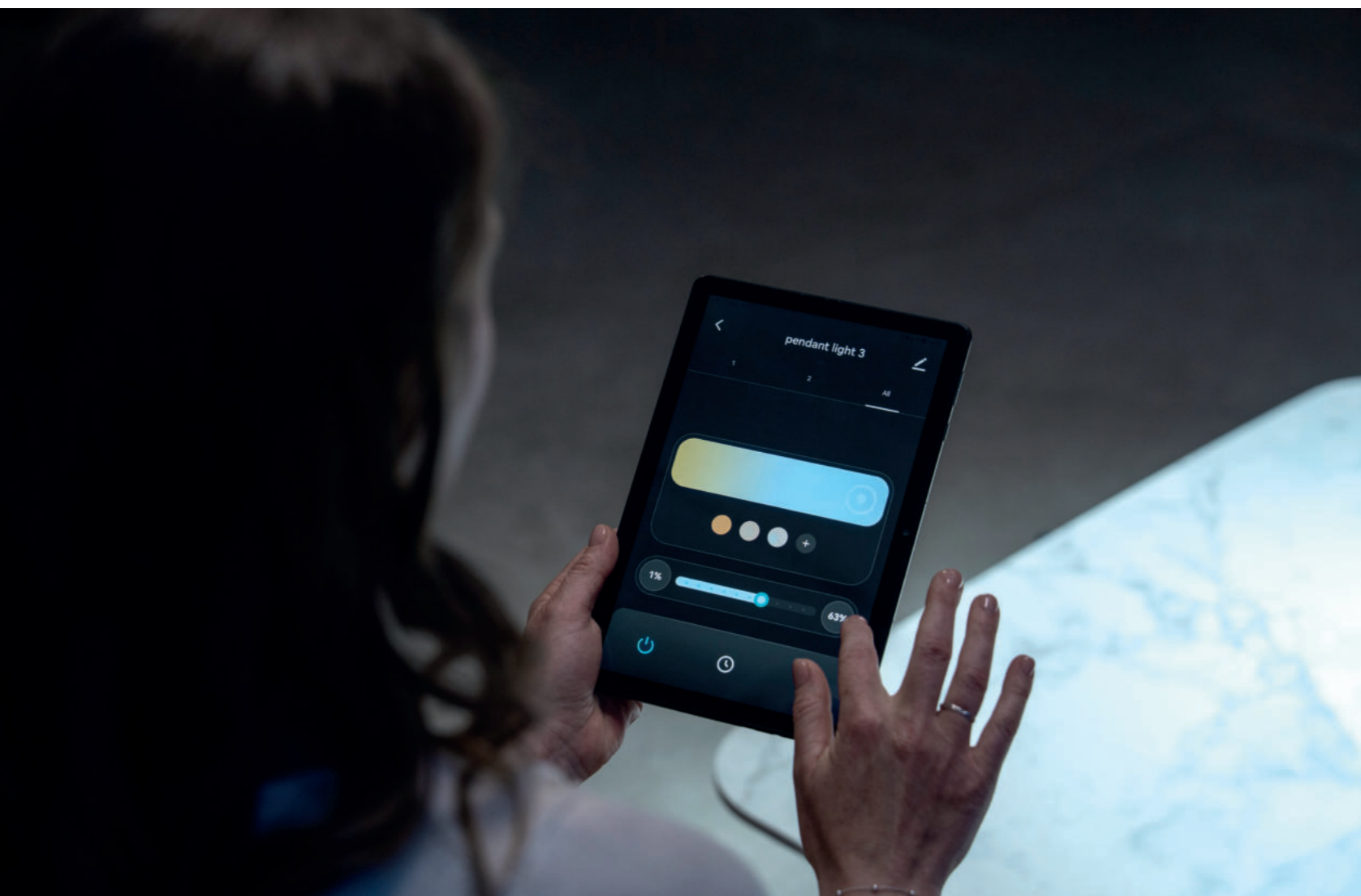
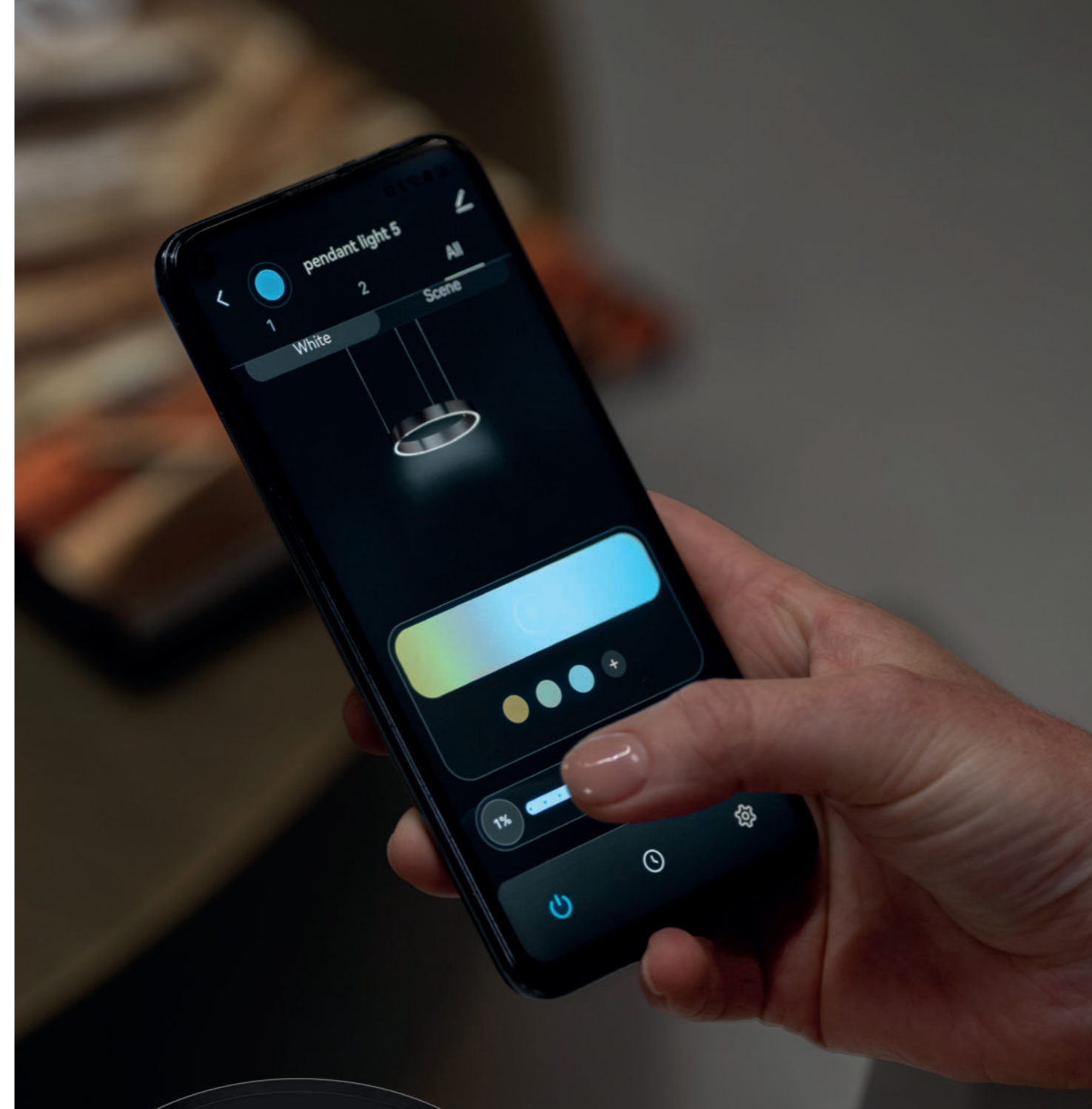
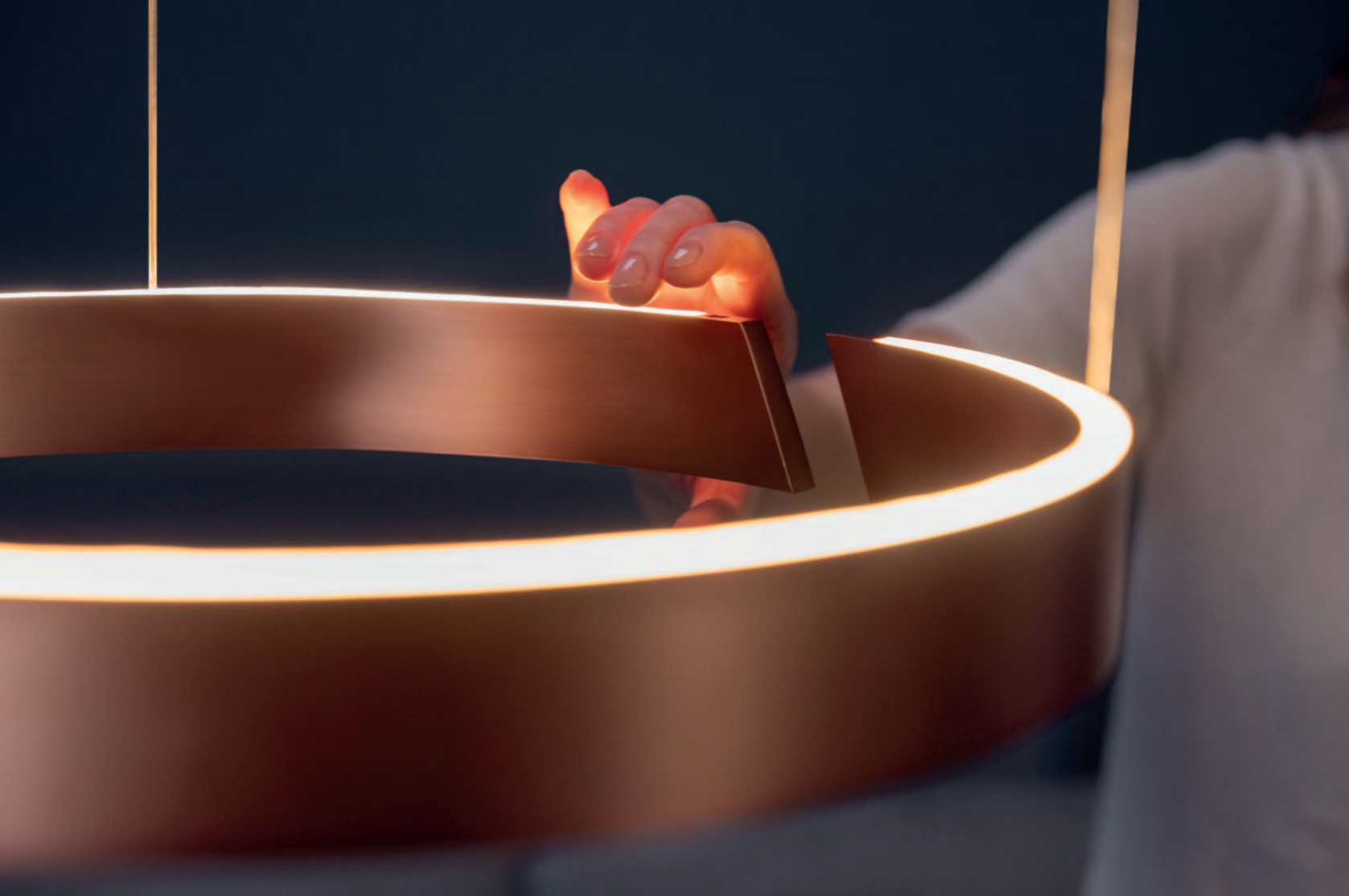
Further surface variants are available for individual projects. If you are interested, please contact us.

Remote control can only be operated **in conjunction with smart drivers / control unit.** Compatible with all control units (see page 131).

SIGNAL RANGE:

Direct range from remote control to driver /control unit: 6 m. However, the signal is passed from device to device within the Bluetooth mesh and thereby increases the mesh signal range.

Please check next page for more information how to control lights via ONE DIAL.



More information how to control lights via the ONE DIAL you will find in our online catalogue at

www.voxaura.ai

POWER SUPPLY

 24V
overview

SMART-DRIVERS

SD4000	220-240 V AC	20 W	↓ 15 mm	page 125
	220-240 V AC	40 W	↓ 15 mm	page 125
	220-240 V AC	60 W	↓ 15 mm	page 125
	220-240 V AC	100 W	↓ 15 mm	page 125
	220-240 V AC	150 W	↓ 15 mm	page 125

CONTROL UNITS

CU4000	LED monochrome	synchronous	↓ 15 mm	page 131
		asynchronous	↓ 15 mm	page 131
	LED multiwhite	synchronous	↓ 15 mm	page 131
		asynchronous	↓ 15 mm	page 131
	LED RGB	synchronous	↓ 15 mm	page 131
	LED RGB-MW	synchronous	↓ 15 mm	page 131

DRIVERS

ID4001	220-240 V AC	20 W	↓ 15 mm	page 135
	220-240 V AC	40 W	↓ 15 mm	page 135
	220-240 V AC	60 W	↓ 15 mm	page 135
	220-240 V AC	100 W	↓ 15 mm	page 135
	220-240 V AC	150 W	↓ 15 mm	page 135

POWER SUPPLY

SMART-DRIVERS

⚡ 24V
 ↑↓ 15 mm

HFD
160KHz

HFD
200KHz

• EXTRA FLAT 15MM
 • HFD TECHNOLOGY

SD4000, 220-240V AC, 50-60Hz

1



2



3



4



5



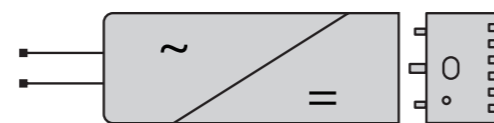
Material / Colour	plastic / black
Driver configuration	smart (+control unit)
Degree of protection	IP20
Output voltage	24V DC
Output ports	1 port, 24 V for control unit
Lifetime	30.000 h
Installation	screw fixing
Scope of delivery	1 smart-driver incl. fixings

i Smart-drivers can **only be operated in conjunction with a control unit** which defines the application (incl. colour system) and switching functions.

Smart-drivers can only be operated with **wireless switches** (see page 111) or **remote control** (see page 118 / 119).

The **voltage drops if the cable length is too long** and the LEDs no longer shine brightly. Therefore, please **observe the maximum cable length** from the driver to the light of 6 m.

Ambient temperature - 20°C to + 45°C. Ensure sufficient air supply and circulation at the installation location.



Smart-driver system:
 connect smart-driver & control unit

All-in-System: One universal smart-driver and one control unit that defines application functions

- no further add-on modules needed

Multi-zone smart-driver system

2-in-1: BLE & matter-ready

Full power on every port

SD4000

	Output power	Standby power consumption	Power factor	Total efficiency	Connected output ports	Dimensions (L x W x H)	Article number
	W	W		%		mm	
1 HFD 160KHz	20	0,20	≥ 0,87	88,5	1x socket 2-pin 24 V	112 x 75 x 15	101.10.01.001
2 HFD 160KHz	40	0,20	≥ 0,93	90,0	1x socket 2-pin 24 V	112 x 75 x 15	101.10.01.002
3 HFD 200KHz	60	0,25	≥ 0,93	93,0	1x socket 2-pin 24 V	112 x 75 x 15	101.10.01.003
4 HFD 200KHz	100	0,25	≥ 0,95	93,5	1x socket 2-pin 24 V	167 x 75 x 15	101.10.01.004
5 HFD 200KHz	150	0,25	≥ 0,95	93,5	1x socket 2-pin 24 V	195 x 75 x 15	101.10.01.005

Primary lead, customized to country, C7-plug (small device plug), 2 m cable length

Type of plug				
Description	C7 plug to Euro plug	C7 plug to open cable ends for direct connection	C7 plug to UK plug	C7 plug to Australia plug
Scope of delivery	1 piece	1 piece	1 piece	1 piece
Article number	140.00.01.001	140.10.01.001	141.00.01.001	143.03.01.001

ORDER INFO

Order primary lead (see above) and control unit (see below) separately.

	control unit (synchronous / asynchronous)	see page 131
	control unit (synchronous / asynchronous)	see page 131
	control unit (synchronous)	see page 131
	control unit (synchronous)	see page 131

HFD
200KHz

High frequency driver:

Enables smallest design. Significantly reduces operating temperature. Low operating temperature leads to increased lifetime.

Smart-driver system:

Wireless control via Bluetooth & optional via matter Smart Home. No extra modules needed.

One modular system

One smart-driver + 8 control units. Easy stockkeeping, maximum flexibility.

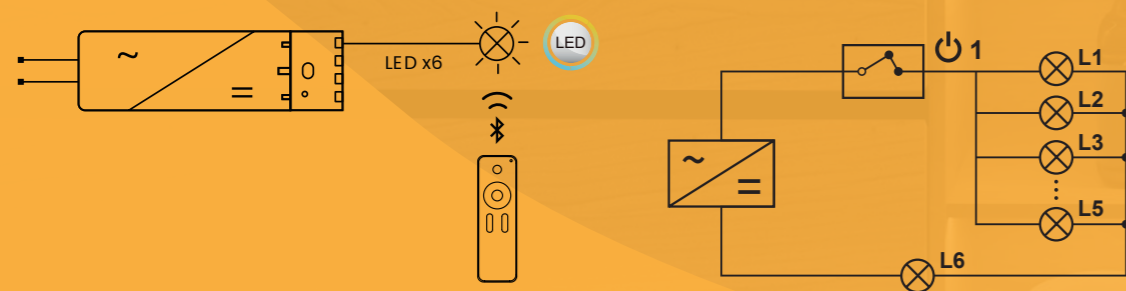
Signal range:

Switches to control unit: 6 m.
 Control unit in Thread mesh: 10-30 m.



SYNCHRONOUS LIGHT

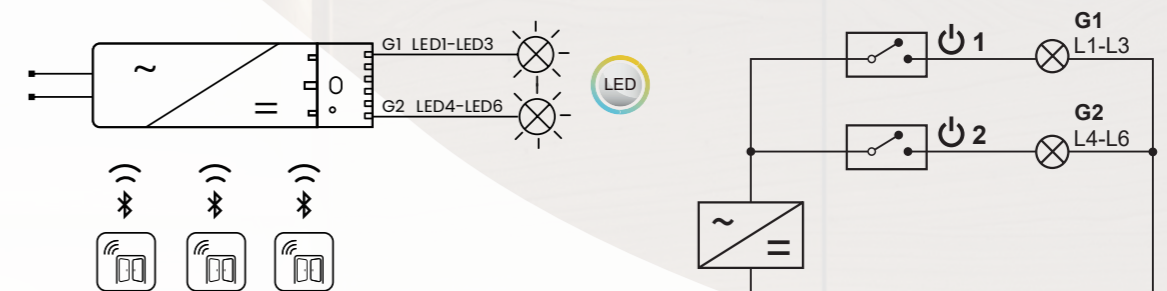
With synchronous control, **all lights are controlled together with one switch.**



In the example, the lights on the glass shelves and the wooden shelves are controlled with one remote control. They cannot be controlled separately.

ASYNCHRONOUS LIGHT

With asynchronous control, **each light can be controlled separately** (with different switches or one remote control).



In the example the lights inside the cabinets turn on when the respective door sensors are triggered while other lights remain switched off.

CONNECTED LIGHTING

DISCOVER OUR SMART HOME LIGHTING SOLUTIONS

Elevate your living space with our state-of-the-art Smart Home lighting control system, designed to seamlessly integrate furniture and room lighting.

Why choose VoxAura smart solutions?

We offer a complete solution for smart lighting. One system, one app to control all lights. Effortlessly tune your lighting to match your mood and needs. Plug and Play set up features easy installation and handling right out of the box.

UNMATCHED COMPATIBILITY:

- 100% matter-compliant system
- Compatible with Google Home, SmartLife and all matter-supported apps
- Seamless integration for ambiance and furniture lighting
- Easy installation, everything matches together smoothly

SMART LIGHTING, SIMPLIFIED:

- Customers expect advanced technology, sleek design, superior colour rendering (CRI 90 - 97+) and high energy efficiency
- Our products impress on all levels
- Ensures room and furniture lighting meet the highest standards

EFFORTLESS CUSTOMIZATION:

- Easy to set up
- Customize lighting exactly to your needs
- Comprehensive all-in-one solution for connected lighting
- Personalize your home environment
- Experience comfort and control

ADVANCED CONNECTIVITY:

- Uses Thread 1.4 and Bluetooth technologies
- Signal range smart battery switches: 6 m, expandable by mesh network. Signal range Thread 1.4 for all light control: 10-30 m.
- Strong, reliable connectivity throughout your home
- Energy-efficient operation

SECURITY YOU CAN TRUST:

- Privacy is our priority
- Servers located in Frankfurt, Germany
- Fully compliant with DSGVO and BDSG regulations
- Secure remote access via your home's internet and Wi-Fi network
- Possibility to control your Smart Home devices locally without needing to send any data to the cloud.

LICENSED MATTER MEMBER:

- matter uses advanced end-to-end encryption to ensure that all data transmitted between your devices and controllers are protected from unauthorized access.
- All matter-compatible devices receive regular security updates to ensure your Smart Home infrastructure is protected from new threats.



Make every return
„feels like coming home.“



matter-certified and therefore compatible with all matter-enabled devices, including brands such as **Google Home**, **Apple HomeKit** and **Amazon Alexa** that support matter. For more information please check page 144.

CONTROL UNITS

 24V
wireless

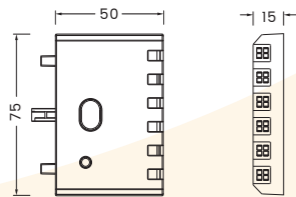


- MATTER READY
- BLUETOOTH READY

CU4000




Dimensions:




Material / Colour	plastic / black
Voltage	24 V DC
Rated power	max. 150W
Standby-power-consumption	0,25 W
Dimensions	75 x 50 x 15 mm
Network signal	BLE & matter / Thread 1.4
Signal range	6 / 10-30 m
Intended application	On / Off Dimming (0-100%) Colour temperature selection (not for monochrome) Colour selection (only RGB and RGB-MW)
Installation	Plugged directly to driver
Scope of delivery	1 control unit

110.10.01.001 & 110.11.01.001




 These items feature 5 ports that can be controlled synchronous / asynchronous and **1 port uncontrolled**. The uncontrolled port **supplies continuous current**, even when the control unit is switched off. **Important for the linear lights with integrated switching function** (PL4001, PL4005, PL4006).






 Control unit **defines the application** (incl. colour system) **and functions of smart-drivers**.


The **specified power rating** is the **maximum capacity**.

The **actual power rating** depends on the connected driver.

 **SIGNAL RANGE:**
Switches to control unit: 6 m.
Control unit in Thread mesh: 10-30 m.

CU4000

Colour system	Control type	Connected output ports	Uncontrolled output ports	Number of lighting groups	Article number
 monochrome	synchronous	5x sockets 2-pin 24V	1x socket 2-pin 24V	1 + 1	110.10.01.001
	asynchronous			5 + 1	110.11.01.001
 multiwhite	synchronous	6x sockets 2-pin 24V	-	1	111.10.01.001
	asynchronous			3	111.11.01.001
 multiwhite	synchronous	6x sockets 3-pin 24V	-	1	112.10.01.001
	asynchronous			3	112.11.01.001
 RGB	synchronous	6x sockets 4-pin 24V	-	1	113.10.01.001
 RGB-MW	synchronous	4x sockets 6-pin 24V	-	1	114.10.01.001


 **THE CORE OF SMART LIGHTING**

The control units form the basis for integrating your lighting into smart systems.

To help you make the right choice, we explain the most important basics on the following pages and provide an overview of the various models and their applications.

  **matter**

matter-certified and therefore compatible with all matter-enabled devices, including brands such as Google Home, Apple HomeKit and Amazon Alexa that support matter. For more information please check page 144.

 **ORDER INFO:** Please order smart-driver separately (see page 125).



Each colour setting requires a specific model of control unit (see above) and a specific smart sensor switch (p. 111) or remote control (p. 118 / 119).

Control unit:
Enables individual, wireless light control for up to 6 output ports.

Modular system:
One universal smart-driver and 8 control units that define application functions. Easy stockkeeping and maximum flexibility.

 **Wireless light control:**
Control units support synchronous or asynchronous control of monochrome, multiwhite, RGB or RGB-MW light.

 **Bluetooth control:**
No wiring needed.

CONTROL UNITS

THE BASICS

Important terms

To help you choose the right control unit for your lighting system, it is useful to know the most important terms relating to control units. These are explained here.

Lighting scene

A lighting scene determines which lights are switched on or off and how (brightness / colour temperature) they shine. Lighting scenes can be used to set different moods or functional areas. Once set, they can be easily recalled thanks to the memory function.

Lighting groups

A lighting group combines luminaires that can be controlled independently of each other. Each group is controlled via the corresponding outputs of the control unit.

Connected output ports

Outputs on the control unit for connecting LED lights that can be controlled via a switch / app (on/off, dimming, colour temperature).

Uncontrolled output ports

Supply continuous current even when the control unit is switched off. Important for connecting luminaires with integrated switches (e.g. PL4001, PL4005, PL4006) so that the light can be switched on automatically when movement is detected. The uncontrolled outputs cannot be controlled via switches or app. Only the control units for monochrome lights have an uncontrolled output port, as lights with integrated switches are exclusively monochrome.

Synchronous control

All connected output ports of the control unit are controlled simultaneously by a switch. This means that all connected lights are switched on or off simultaneously (synchronously) with one switch.

Asynchronous control

Depending on the control unit model, there are different numbers of outputs (groups) that can be controlled separately. Lights connected to these outputs / groups can be switched on or off independently of each other. Lights connected to a group of outputs can only be switched on or off together.

COMPARISON OF CONTROL UNITS

– OVERVIEW OF ALL OPTIONS

Colour system	Control type	Number of lighting groups	Number of outputs / lighting group	Total number of outputs	Number of lighting scenes	Special feature	Ideal for applications with	Ideal for applications in
LED monochrome	synchronous	1+1	LG1: 5 LG2: 1	6	1+1	1 output port uncontrolled	1 shared lighting scene + 1 separate sensor light	
	asynchronous	6+1	LG1-LG5: each 1 LG6: LG1 – LG5 LG7: 1	6	6+1	1 output port uncontrolled	6 independent lighting scenes + 1 separate sensor light	kitchen
LED multiwhite 2-pin	synchronous	1	LG1: 6	6	1	-	1 shared lighting scene	furniture
	asynchronous	3	LG1: 3 LG2: 3 LG3: LG1 + LG2	6	3	-	3 independent lighting scenes	furniture
LED multiwhite 3-pin	synchronous	1	LG1: 6	6	1	-	1 shared lighting scene	ceiling
	asynchronous	3	LG1: 3 LG2: 3 LG3: LG1 + LG2	6	3	-	3 independent lighting scenes	ceiling
LED RGB	synchronous	1	LG1: 6	6	1	-	1 shared lighting scene	ceiling
LED RGB-multiwhite	synchronous	1	LG1: 4	4	1	-	1 shared lighting scene	ceiling

FINDING THE RIGHT CONTROL UNIT

– ALL OPTIONS AT A GLANCE

LED monochrome

synchronous



- 5x connected output ports (1-5) synchronous
- 1x uncontrolled output port (6)

- Lighting group 1: 1-5
- Lighting group 2: 6

Art.: 110.10.01.001

asynchronous



- 5x connected output ports (1-5) asynchronous
- 1x uncontrolled output port (6)

- Lighting group 1: 1
- Lighting group 2: 2
- Lighting group 3: 3
- Lighting group 4: 4
- Lighting group 5: 5
- Lighting group 6: 6
- Lighting group 7: 1-5

Art.: 110.11.01.001

LED multiwhite 2-pin = furniture lighting multiwhite 3-pin = ceiling lighting

synchronous

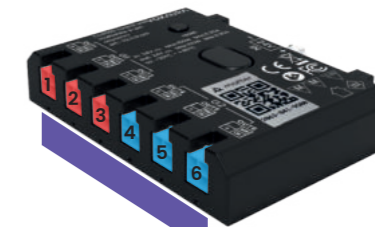


- 6x connected output ports (1-6) synchronous
- 0x uncontrolled output port

- Lighting group 1: 1-6

Art.: 111.10.01.001 (2-pin)
112.10.01.001 (3-pin)

asynchronous



- 3x connected output ports (1-3) asynchronous
- 3x connected output ports (4-6) asynchronous
- 0x uncontrolled output port

- Lighting group 1: 1-3
- Lighting group 2: 4-6
- Lighting group 3: 1-6

Art.: 111.11.01.001 (2-pin)
112.11.01.001 (3-pin)

LED RGB synchronous



- 6x connected output ports (1-6) synchronous
- 0x uncontrolled output port

- Lighting group 1: 1-6

Art.: 113.10.01.001

LED RGB - multiwhite synchronous



- 4x connected output ports (1-4) synchronous
- 0x uncontrolled output port

- Lighting group 1: 1-4

Art.: 114.10.01.001

DRIVERS

⚡ 24V
 ↓ 15 mm



- EXTRA FLAT 15MM
- HFD TECHNOLOGY

ID4001, 220-240V AC, 50-60Hz



Material / Colour	plastic / black
Driver configuration	integrated
Degree of protection	IP20
Output voltage	24V DC
Lifetime	30.000 h
Installation	screw fixing
Scope of delivery	1 driver incl. fixings

i Ambient temperature - 20°C to + 45°C. Ensure sufficient air supply and circulation at the installation location.

Integrated drivers **only can control monochrome light**.

The **voltage drops if the cable length is too long** and the LEDs no longer shine brightly. Therefore, please **note maximum cable length** from driver to light of 6 m.

i Drivers 100.10.01.004, 100.10.01.005, 100.10.01.006, 100.10.01.007 and 100.10.01.008 feature 4 / 6 controlled ports and **2 ports uncontrolled**. The uncontrolled ports **supply continuous current**, even when the driver is switched off. **Important for the linear lights with integrated switching function (PL4001, PL4005, PL4006)**.

ORDER INFO: Order primary lead separately. For details please refer to the right.

i **CONTROL TYPE**

20W: Only synchronous control of the 4 connected outputs possible.

40W, 60W, 100W & 150W:

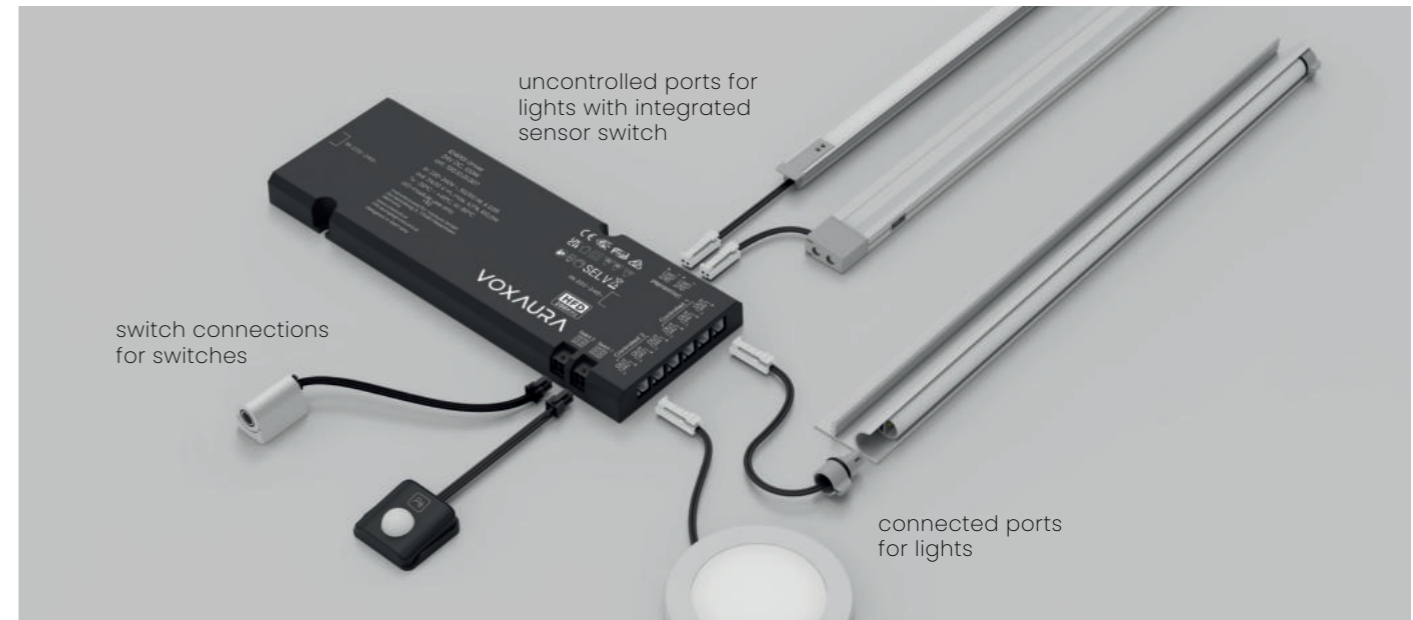
- Synchronous control of the 6 connected outputs when one switch is connected.
- When connecting 2 switches, asynchronous control of two lighting groups:
 Lighting group 1: connected outputs 1-3 are controlled synchronously with switch 1.
 Lighting group 2: connected outputs 4-6 are controlled synchronously with switch 2.

ID4001

	Output power	Standby power consumption	Power factor	Total efficiency	Output ports connected + uncontrolled	Switch connections	Dimensions (L x W x H)	Article number
	W	W		%			mm	
1 HFD 160KHz	20	0,20	≥ 0,87	88,0	4+2 socket 2-pin , 24 V	1x socket 4-pin	147 x 75 x 15	100.10.01.004
2 HFD 160KHz	40	0,20	≥ 0,93	89,0	6+2 socket 2-pin , 24 V	2x socket 4-pin	147 x 75 x 15	100.10.01.005
3 HFD 200KHz	60	0,25	≥ 0,93	92,0	6+2 socket 2-pin , 24 V	2x socket 4-pin	147 x 75 x 15	100.10.01.006
4 HFD 200KHz	100	0,25	≥ 0,95	93,0	6+2 socket 2-pin , 24 V	2x socket 4-pin	202 x 75 x 15	100.10.01.007
5 HFD 200KHz	150	0,25	≥ 0,95	93,0	6+2 socket 2-pin , 24 V	2x socket 4-pin	230 x 75 x 15	100.10.01.008

Primary lead, customized to country, C7-plug (small device plug), 2 m cable length

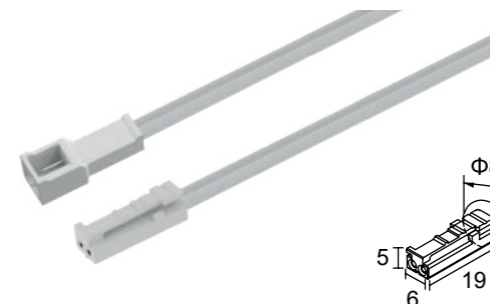
Type of plug				
Description	C7 plug to Euro plug	C7 plug to open cable ends for direct connection	C7 plug to UK plug	C7 plug to Australia plug
Scope of delivery	1 piece	1 piece	1 piece	1 piece
Article number	140.00.01.001	140.10.01.001	141.00.01.001	143.03.01.001



EXTENSION CABLES ⚡ 24V

EC3000 EXTENSION CABLE 2-PIN

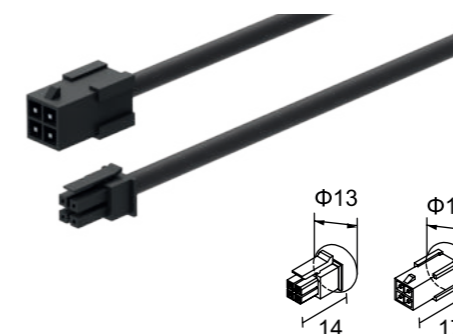
LED



Material / Colour	plastic / black
Suitable for	monochrome lights
Length	2 m
Drill hole	Ø 8 mm (plug)
Scope of delivery	1 extension cable incl. 2-pin connector male & female
Article number	150.99.01.001

EC3000 EXTENSION CABLE 4-PIN

LED LED



Material / Colour	plastic / black
Suitable for	multiwhite & RGB lights and wired switches
Length	2 m
Drill hole	Ø 13 mm (plug)
Scope of delivery	1 extension cable incl. 4-pin connector male & female
Article number	150.99.01.002

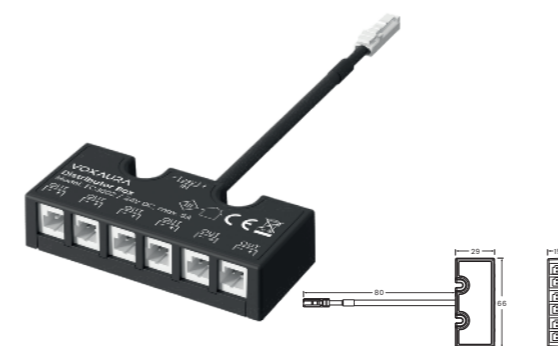
DISTRIBUTORS ⚡ 24V

EC3001 2-WAY EXTENSION CABLE



Material / Colour	plastic / black
Suitable for	2-pin lights (monochrome and 2-pin multiwhite)
Length	2 m
Drill hole	Ø 8 mm (plug)
Scope of delivery	1 cable incl. 1 male and 2 female connectors
Article number	150.99.01.003

EC3002 6-WAY DISTRIBUTOR BOX

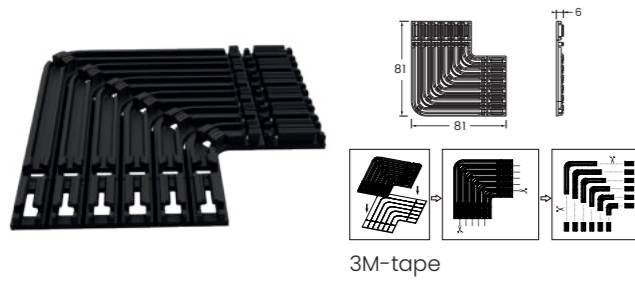


Material / Colour	plastic / black
Application	1 input port + 6 output ports to multiply LED light connections
Suitable for	all drivers and control units, 2-pin lights (monochrome and 2-pin multiwhite)
Dimensions	66 x 29 x 15 mm
Scope of delivery	1 distributor box incl. connecting cable 80 mm
Article number	130.99.01.001

ACCESSORIES

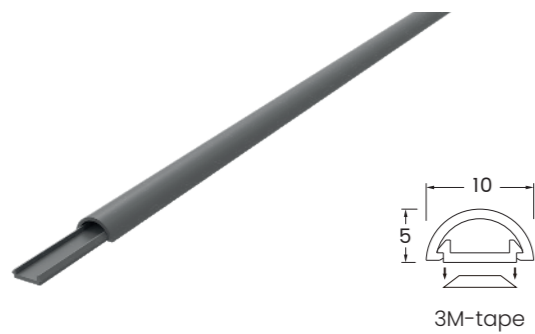
CABLE MANAGEMENT ⚡ 24V

CM1000 6-WAY CABLE MANAGEMENT 90° - single rails breakable for flexibility



Material / Colour	plastic / black
Application	organize up to 6 cables in corners
Dimensions	81 x 81 x 6 mm
Installation	surface mounting
Scope of delivery	5 pieces incl. 3M-tape
Article number	160.99.01.001

CM1000 6-WAY CABLE MANAGEMENT PROFILE



Material / Colour	plastic / black
Application	organize up to 6 cables
Dimensions	450 x 10 x 5 mm
Installation	surface mounting
Scope of delivery	5 pieces incl. 3M-tape
Article number	160.99.01.002

POWER TAKING SYSTEM

PP1000 PRIMARY LEAD



Material / Colour	plastic / black
Application	C7 plug to UK plug
Cable Length	2 m
Scope of delivery	1 primary lead incl. C7 plug and UK plug
Article number	141.00.01.001

PP1000 PRIMARY LEAD



Material / Colour	plastic / black
Application	C7 plug to Euro plug
Cable Length	2 m
Scope of delivery	1 primary lead incl. C7 plug and Euro plug
Article number	140.00.01.001

PP1000 PRIMARY LEAD



Material / Colour	plastic / black
Application	C7 plug to open cable ends for direct connection
Cable Length	2 m
Scope of delivery	1 primary lead incl. C7 plug and open cable ends for direct connection
Article number	140.10.01.001

PP1000 PRIMARY LEAD



Material / Colour	plastic / black
Application	C7 plug to Australia plug
Cable Length	2 m
Scope of delivery	1 primary lead incl. C7 plug and Australia plug
Article number	143.03.01.001

CONTROL UNIT ⚡ 24V

CB3000 CONTROL UNIT



Material / colour	plastic / black
Power rating	max. 60W
Signal range	6 m
Control type	synchronous
Intended application	on / off, dimming (0-100%)
Installation	connected to driver and light
Scope of delivery	1 control unit
Article number	110.20.01.001

INFORMATION

TECHNICAL TERMS

A

Ampere: See current

B

Beam angle: Describes the angular range within which the light intensity of a light source falls to more than 50% of the maximum light intensity. This is typically in the center of the light cone.

Binning: Derived from the English word “bin” (container/box). In the context of LED production, “binning” refers to the process of sorting and grouping LEDs into different categories or “bins” based on certain characteristics or properties (brightness, colour, forward voltage). This is necessary to ensure a uniform appearance, as in production the smallest variations lead to different performance characteristics.

C

COB (Chip On Board): A type of LED technology in which multiple LED chips are mounted directly onto a substrate or circuit board and connected together to form a single, compact and powerful light module.

Colour / colour system: LEDs can be divided into the following colours or colour systems:

- **monochrome (white):**
A specific colour (colour temperature) of white light can be generated; this cannot be varied.
- **monochrome (white) changeable:**
It is possible to switch between two or more specific colours (colour temperatures) of white light.
- **multiwhite:**
LEDs that combine several white LEDs with different colour temperatures of white light to enable a variable light colour and temperature of the white light.
- **RGB (Red, Green, Blue):**
A wide range of colours (incl. white light) can be created through a variable combination of red, green and blue light using additive colour mixing.
- **RGB-monochrome:**
LED light sources that combine both RGB colour-changing LEDs and white LEDs with a specific colour temperature to enable a comprehensive range of colours. White light is not produced by mixing red, green and blue colours, but by separately controlled white LEDs. The result is a “more perfect” white than is possible by mixing red, green and blue.
- **RGB-multiwhite:**
LED light sources that combine both RGB colour-changing LEDs and several white LEDs with different colour temperatures to provide a comprehensive range of colours. White light is not produced by mixing red, green and blue colours, but by separately controlled white LEDs. The result is “more perfect” white tones than are possible by mixing red, green and blue.

Colour temperature / Kelvin (K): Describes the colour of white light, measured in Kelvin, and indicates whether the white light appears warm (reddish/yellowish) or cold (bluish). The colour temperature influences human mood, productivity, sleep quality and perception:

- **warm white light** (2700 – 3300 K): relaxing, cozy, sleep-inducing
- **neutral white light** (3400 – 5000 K): activating, energizing
- **cool white / daylight white light** (more than 5000 K): enhances concentration, stimulates, increases alertness and performance

CRI (Colour Rendering Index): A measure of how naturally and accurately a light source reproduces the colour of objects compared to a reference light source (daylight). The scale ranges from 0 – 100, with 100 representing the best colour rendering. Good colour rendering is given from a CRI > 90. A distinction is usually made between the CRI Ra (general colour rendering index) and the CRI R9 (colour rendering of red tones).

Current / Ampere (A): Measure of the amount of electrical charge that flows through a conductor cross-section per unit of time.

D

Degree of efficiency: Indicates how well a power supply unit converts the electrical energy it receives into usable energy for electronic devices. It is expressed as a percentage and lies between 0% and 100%.

E

Energy efficiency classes: Rating system that characterizes the energy efficiency of certain household appliances and other products. They are shown on a scale from A to G, with A representing the best energy efficiency.

F

Frequency / Hertz (Hz): Indicates how often the direction of the alternating current changes within one second. 1 Hz corresponds to one complete reversal (oscillation) per second.

H

HCL (Human Centric Lighting): Intelligent lighting system that can imitate natural daylight patterns and aims to improve people’s well-being, health and performance by adapting the lighting conditions to the natural, biological circadian rhythm. Cool, bright light in the morning has an activating effect and helps people to wake up. Warm, soft light is relaxing and promotes restful sleep. (See also colour temperature)

Hertz: See frequency

TECHNICAL TERMS

I

Illuminance / Lux (lx): Measure of the amount of light (brightness) falling on a certain surface. It is measured in lux. One lux corresponds to one lumen per m². Illuminance decreases with increasing distance from the light source.

K

Kelvin: See colour temperature

L

Layered light: Perfect illumination of the room and an atmospheric ambience thanks to a harmonious mix of basic, accent and ambient lighting:

- **Basic lighting:**
uniform, rather diffuse light that illuminates the entire room.
- **Accent lighting / zone lighting:**
brings light to where it is needed; sets accents; creates zones within a room.
- **Ambient lighting:**
discreet, warm light; creates atmosphere; sets the scene in the room.

LED (Light Emitting Diode): Semiconductor light source. LED technology is based on the use of light-emitting diodes that generate light when an electric current flows through them. There are different types of LED (e.g. COB and SMD, see COB / SMD).

Lifetime (Lx/By) of LED: Specified in hours. L indicates the percentage of the original luminous flux that is still achieved after the specified lifetime; B indicates the percentage of LEDs produced that still reach the L limit after the specified lifetime.

Example: L70/B50 > 50,000: With an average lifetime of 50,000 hours, at least 50% of the LEDs still provide at least 70% of their original luminous intensity.

Light efficacy (lm/W): A measure of the efficiency of a light source. It indicates how much visible light (in lumens) is produced per electrical power consumed (in watts). The luminous efficacy is measured in lumens per watt (lm/W) and provides information on how effectively a light source converts electrical energy into light.

Light transmission / transmittance: The proportion of incident light that passes through a material, expressed as a percentage (%). A material with a light transmission of 80% allows 80% of the incident light to pass through and blocks 20%.

Lumen: see luminous flux

Luminous flux / Lumen (lm): A photometric quantity, measured in lumens, which describes the total amount of visible light emitted by a light source in all directions. Luminous flux is a measure of how much light a source produces and how well it can illuminate a room or area.

Luminous flux drop: With LED strips, there is a drop in luminous flux with increasing strip length, caused by the electrical resistance of the conductor tracks in the LED strip, which can lead to different brightness and colour shades. The specified visual value corresponds to the maximum length of the LED strip before a significant, i.e. perceptible to the human eye, drop in luminous flux occurs.

Lux: See illuminance

P

Power Factor (PF): Indicates how efficiently a power supply unit converts the electrical energy from the socket into usable energy. It lies between 0 and 1.

Power / Watt (W): Indicates how much electrical work the current performs every second or how much electrical energy is converted into other forms of energy. It determines how much energy an appliance consumes and how much work it can do. Devices with higher power can work more or faster, but also consume more energy.

S

SMD (Surface-Mounted Device): Type of LED, are soldered directly onto the surface of a printed circuit board and are characterized by a compact and flat design. They are versatile, compact, efficient, easy to integrate, have high brightness and luminous efficacy, good heat dissipation and long lifetime.

Standby power consumption: Refers to the power consumption of electrical appliances when they are connected but not in active use, i.e. in standby mode.

T

Transmittance: See light transmission

U

UGR (Unified Glare Rating): Standardized measure for assessing the glare caused by artificial light sources indoors. UGR is specified on a scale from around 10 to > 30. UGR ≤ 16 glare not perceptible / not disturbing; UGR ≤ 22 glare tolerable / moderate; UGR > 22 strong to unbearable glare. By planning and designing the lighting correctly, the UGR value can be optimized and glare minimized to create a comfortable and efficient lighting environment.

V

Voltage / Volt (V): Describes the potential difference between two points in an electric field. It is the force that drives the electric current through a circuit and determines how much energy an electrical device receives.

W

Watt: See power

General questions:

For which projects are VoxAura lighting systems suitable?

VoxAura systems are ideal for a variety of applications, including residential areas, offices, retail stores and special projects. They support customized solutions that harmoniously combine functionality and design.

Why should I opt for a 24V system? What are the advantages of a 24V system?

Please check page 9.

General questions to light:

Which factors have a significant influence on illuminance?

Please check page 10.

What does TrueColour CRI97+ mean for VoxAura luminaires?

Colour Rendering Index (CRI) is a measure of how naturally and accurately a light source reproduces the colours of objects compared to daylight. The CRI evaluates the ability of a light source to display the colours of objects authentically and naturally. The scale ranges from 0 to 100, with 100 representing the best colour reproduction, comparable to natural sunlight. CRI 97+ is near to the colour rendering of daylight and so provides you with true colours.

General questions to installation:

What must be observed with regard to installation and commissioning?

The applicable national regulations must be observed. Installation and commissioning may only be carried out by a qualified electrician in some cases. The products may only be used for their intended purpose. The instructions in the installation and operating instructions must be observed. Modifications for which the products are not intended are not permitted. Non-compliance may result in damage to property and personal injury. Furthermore, the manufacturer accepts no liability in the event of non-compliance and the warranty becomes void.

What tools are required for the installation?

The installation of our systems requires standard tools that are typically available in professional workshops. You will find all the necessary installation instructions in our detailed installation manuals.

How are the system components connected?

Our products use a user-friendly plug-in system that enables a quick and secure connection without extensive technical knowledge. This makes installation and maintenance easy.

LED-ribbons:

What shall I do if the required length of an LED strip is greater than the max. visual ribbon length?

An additional driver unit must be connected in between to ensure a constant voltage supply and thus prevent the brightness from dropping.

Are there LED-ribbons that are particularly suitable for use in caravans or ceiling lighting?

The LS4005 product family features constant current technology. This technology enables a (visual) strip length of up to 15 m without a significant drop in luminous flux. Also suitable for short-term voltage peaks up to 16 V thanks to the integrated IC. This is why LED strips with constant current technology are ideal for ceiling lighting and lighting in caravans.

What do I need to consider if I want to install LED-ribbons in wet rooms?

Depending on the distance to possible water sources, the LED-ribbons must be suitable for use in wet rooms. Information on this can be found in the IP protection class. Please observe the national legal regulations regarding distance to water sources and the required (minimum) IP protection class. Vox-Aura silicone ribbons have an IP44 protection class, which is sufficient for many applications in wet rooms. Please note that the driver and the primary lead must be installed in a dry place.

What do I need to consider when choosing connectors for LED-ribbons?

VoxAura systems are also harmonized for connectors. As a rule, only the width of the PCB of the LED strip and the number of pins need to be taken into account.

What needs to be considered with regard to the service life of LED lights / LED-ribbons?

The operating temperature has a decisive influence on the service life. The warmer, the shorter the service life.

Power supply:

Can drivers from other manufacturers be used with VoxAura systems?

No. The components of VoxAura systems are optimally matched to each other. To ensure safety and functionality, only VoxAura components may be connected to each other.

What do I need to consider when choosing the driver?

First you need to decide whether an integrated or smart-driver is required to control the light you want. In addition the power of the driver must be matched to connected loads.

What do I need to consider when selecting control units?

It is important to consider which lighting system is to be controlled, which switches are to be connected and whether the light is to be controlled synchronously or asynchronously.

What does HFD mean for VoxAura drivers?

HFD means High-Frequency Driver. This is a completely new technology in the field of LED drivers and enables smallest design as well as significant reduces of operating temperature what leads to increased lifetime.

Switches:

What needs to be considered when choosing the switches?

First and foremost, how you want to control the light and if the functions of the switch match with your system. You also need to consider whether you prefer wireless or wired switches.

Please check more FAQ at www.voxaura.ai

EXPLORE OUR SOCIAL MEDIA



IMPRINT

The technical representations and dimensions in this catalog, including those in the illustrations and drawings, are non-binding. We reserve the right to make design improvements. All dimensions are in millimeters unless otherwise specified. Subject to printing errors.

All delivery conditions are subject to VoxAura's general terms and conditions, which can be viewed at www.voxaura.ai.

Publisher:
VoxAura GmbH
Schumannstraße 27
60325 Frankfurt am Main
Germany

Internet: www.voxaura.ai
E-Mail: info.europe@voxaura.ai

March 2026
© by VOXAURA
All rights reserved.
Printed in Germany.

Art.no. 900.10.00.001



VOXAURA

VOXAURA GmbH • E-Mail: info.europe@voxaura.ai • www.voxaura.ai

Art.no.: 900.10.00.001